

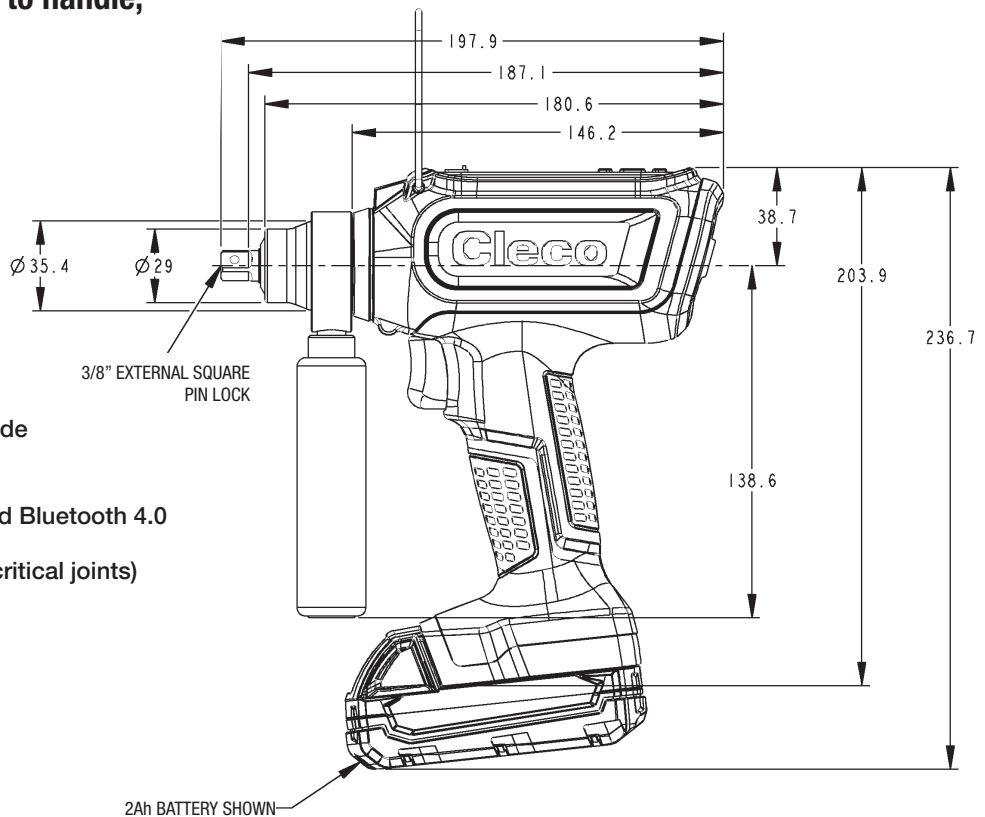
22 Nm PISTOL

6.6 - 22 Nm (4.9 - 16.2 ft-lbs)

The new CellCore™ Cordless Assembly Tools are smart, durable and designed to withstand the toughest environment, putting you in control with cordless assembly tools that are easy to handle, and hard to break.

FEATURES

- Forward and backward compatibility with Cleco's entire Global Controller platform
- Color Worklight on the tool for secondary okay/not okay visual feedback
- "Stay Alive" function prevents reboot during battery change, gaining time and efficiency
- On-tool Digital Transducer and Servo provide critical information and eliminate errors
- Connects easily over Wifi 2.4 & 5.0 GHz and Bluetooth 4.0
- Accuracy (Cm/Cmk 2.0 @ 10% for quality critical joints)
- Compatible with:
 - mPro200GC
 - mPro200GC-AP
 - mPro400 Family



SPECIFICATIONS

TORQUE RANGE (Nm)

Min / Max: 6.6 - 22

TORQUE RANGE (ft-lb)

Min / Max: 4.9 - 16.2

SPEED

r/min: 430

WEIGHT & DIMENSIONS

Weight w/o Battery 1.05 kg / 2.32 lb
 Length 198 mm / 7.79 in
 Height 204 mm / 8.03 in
 Side to Center 29 mm / 1.14 in
 Output 3/8" Square Drive
 Country of Origin: Assembled in USA

