

CLBP02Q

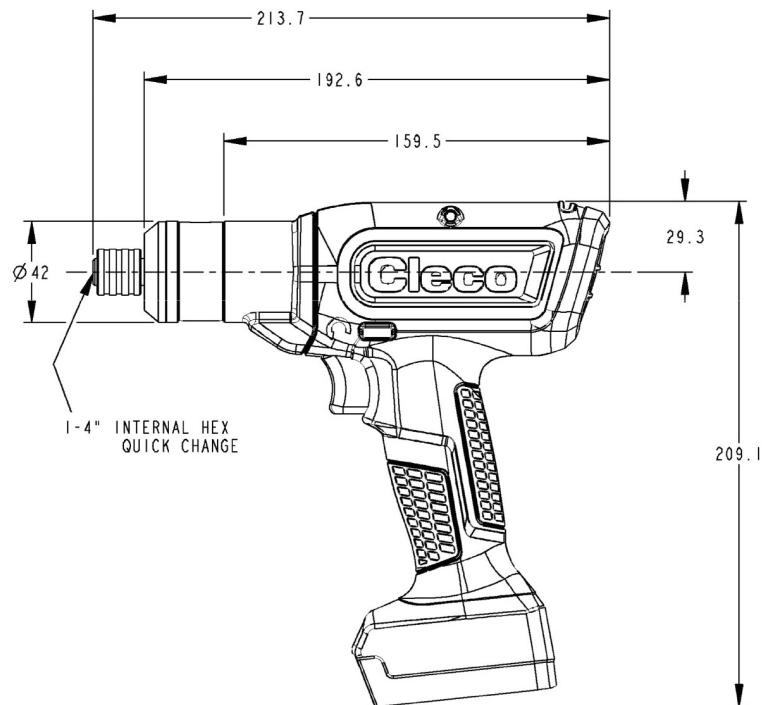
CellClutch[™] Cordless Assembly Tools are smart yet simple, bringing programmability to your line.

2 Nm PISTOL

0.6 - 2 Nm (0.4 - 1.5 ft-lbs)

FEATURES

- **Easily Programmable** - Program speeds and multi-stage rundowns to eliminate defects and enhance productivity
- **Proven Cleco Clutch** - Provides unmatched reliability and durability on the production line
- **Operator Status Light** - Color indicator light for rundown and batch count status
- **Multi-Color LED** - Work light for secondary “OK/NOK” operator feedback while illuminating your workpiece
- **Programmable Rundown Strategies** - Eliminate cross threads and errors during rundowns with programmable speeds and strategies
- **Single Battery Platform** - Across entire cordless range to reduce complexity and costs in your plant



SPECIFICATIONS

TORQUE RANGE (Nm)

Min / Max: 0.6 - 2

TORQUE RANGE (ft-lb)

Min / Max: 0.4 - 1.5

SPEED

r/min / Max: 177 -1770

WEIGHT & DIMENSIONS

Weight w/o Battery	1.05 kg / 2.3 lb
Length	213.5 mm / 8.41 in
Height	209 mm / 8.23 in
Side to Center	28.5 mm / 1.12 in
Output	1/4" Hex Quick Release
Country of Origin:	Assembled in USA



CLBP04Q

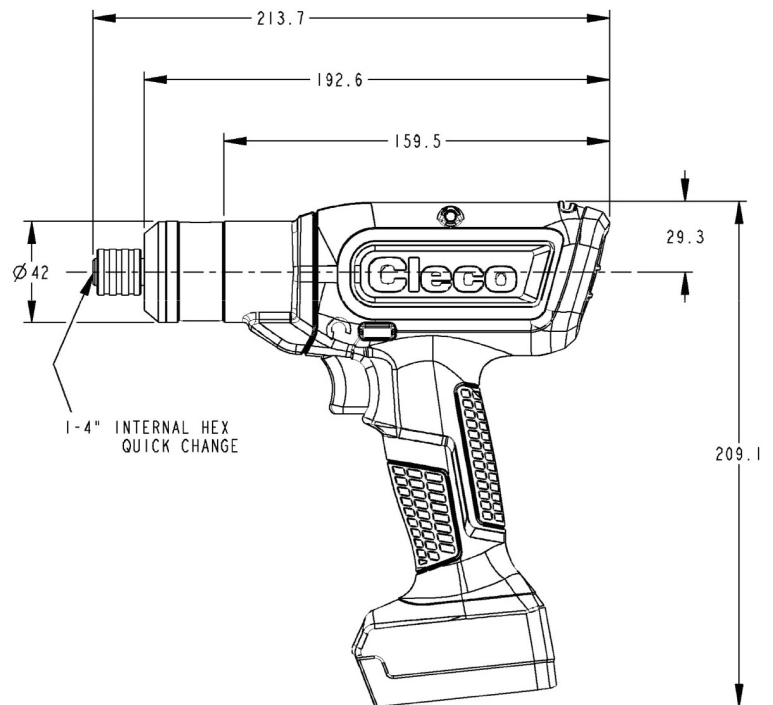
CellClutch[™] Cordless Assembly Tools are smart yet simple, bringing programmability to your line.

4 Nm PISTOL

1.1 - 4 Nm (0.8 – 2.9 ft-lbs)

FEATURES

- **Easily Programmable** - Program speeds and multi-stage rundowns to eliminate defects and enhance productivity
- **Proven Cleco Clutch** - Provides unmatched reliability and durability on the production line
- **Operator Status Light** - Color indicator light for rundown and batch count status
- **Multi-Color LED** - Work light for secondary “OK/NOK” operator feedback while illuminating your workpiece
- **Programmable Rundown Strategies** - Eliminate cross threads and errors during rundowns with programmable speeds and strategies
- **Single Battery Platform** - Across entire cordless range to reduce complexity and costs in your plant



SPECIFICATIONS

TORQUE RANGE (Nm)

Min / Max: 1.1 - 4

TORQUE RANGE (ft-lb)

Min / Max: 0.8 - 2.9

SPEED

r/min / Max: 177 -1770

WEIGHT & DIMENSIONS

Weight w/o Battery	1.05 kg / 2.3 lb
Length	213.5 mm / 8.41 in
Height	209 mm / 8.23 in
Side to Center	28.5 mm / 1.12 in
Output	1/4" Hex Quick Release
Country of Origin:	Assembled in USA



CLBP08Q

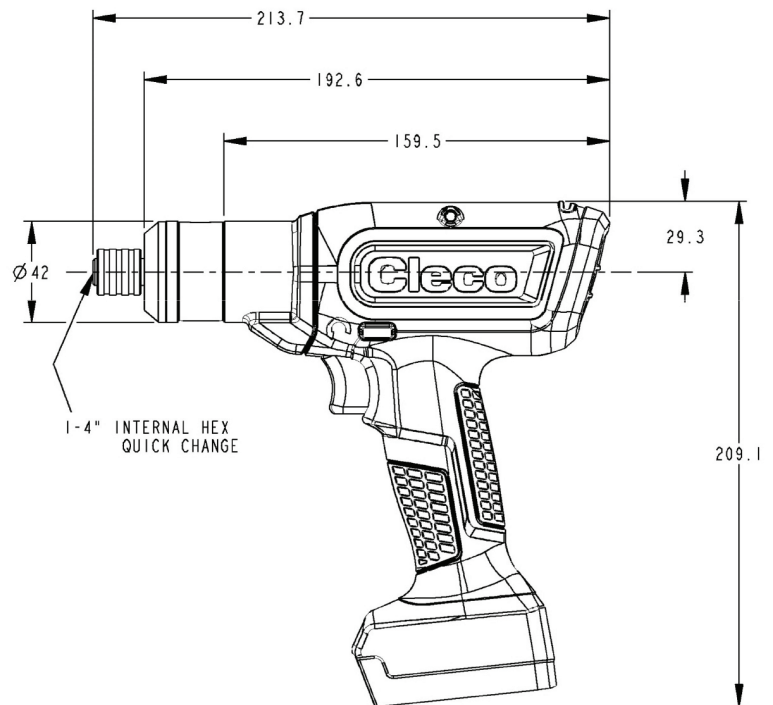
8 Nm PISTOL

2.1 - 8 Nm (1.5 - 5.9 ft-lbs)

CellClutch[™] Cordless Assembly Tools are smart yet simple, bringing programmability to your line.

FEATURES

- **Easily Programmable** - Program speeds and multi-stage rundowns to eliminate defects and enhance productivity
- **Proven Cleco Clutch** - Provides unmatched reliability and durability on the production line
- **Operator Status Light** - Color indicator light for rundown and batch count status
- **Multi-Color LED** - Work light for secondary “OK/NOK” operator feedback while illuminating your workpiece
- **Programmable Rundown Strategies** - Eliminate cross threads and errors during rundowns with programmable speeds and strategies
- **Single Battery Platform** - Across entire cordless range to reduce complexity and costs in your plant



SPECIFICATIONS

TORQUE RANGE (Nm)

Min / Max: 2.1 - 8

TORQUE RANGE (ft-lb)

Min / Max: 1.5 - 5.9

SPEED

r/min / Max: 95 - 985

WEIGHT & DIMENSIONS

Weight w/o Battery	1.05 kg / 2.3 lb
Length	213.5 mm / 8.41 in
Height	209 mm / 8.23 in
Side to Center	28.5 mm / 1.12 in
Output	1/4" Hex Quick Release
Country of Origin:	Assembled in USA



CLBP12Q

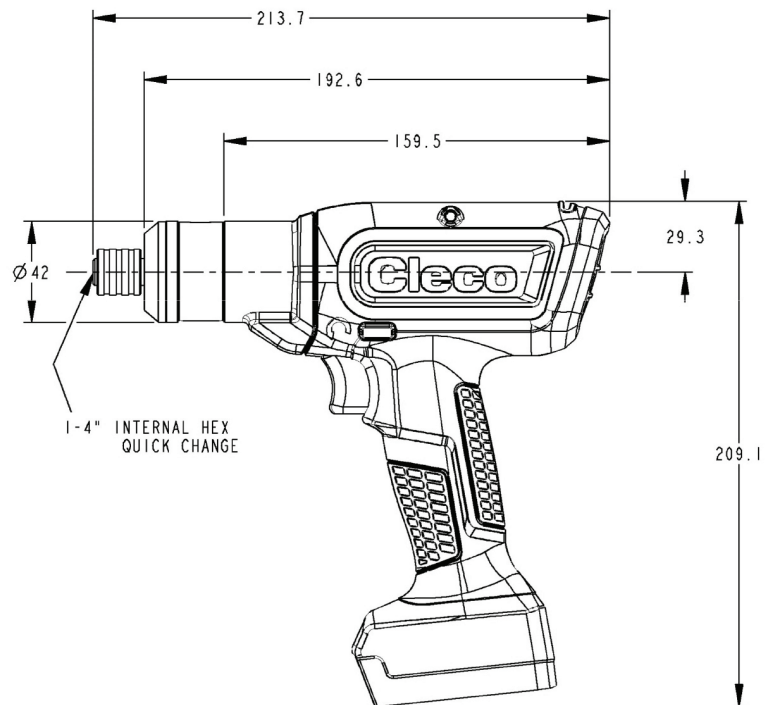
12 Nm PISTOL

3.2 - 12 Nm (2.4 – 8.8 ft-lbs)

CellClutch[™] Cordless Assembly Tools are smart yet simple, bringing programmability to your line.

FEATURES

- **Easily Programmable** - Program speeds and multi-stage rundowns to eliminate defects and enhance productivity
- **Proven Cleco Clutch** - Provides unmatched reliability and durability on the production line
- **Operator Status Light** - Color indicator light for rundown and batch count status
- **Multi-Color LED** - Work light for secondary “OK/NOK” operator feedback while illuminating your workpiece
- **Programmable Rundown Strategies** - Eliminate cross threads and errors during rundowns with programmable speeds and strategies
- **Single Battery Platform** - Across entire cordless range to reduce complexity and costs in your plant



SPECIFICATIONS

TORQUE RANGE (Nm)

Min / Max: 3.2 - 12

TORQUE RANGE (ft-lb)

Min / Max: 2.4 - 8.8

SPEED

r/min / Max: 70 - 700

WEIGHT & DIMENSIONS

Weight w/o Battery	1.05 kg / 2.3 lb
Length	213.5 mm / 8.41 in
Height	209 mm / 8.23 in
Side to Center	28.5 mm / 1.12 in
Output	1/4" Hex Quick Release
Country of Origin:	Assembled in USA

