

Parts Manual
823157
04/07/2011

Cleco®

75 Series
Right Angle Nutrunners



For additional product information visit our website at <http://www.apextoolgroup.com>

“A”

Model Nomenclature

75	X	N	X	L	-	X	XXX	-	X
-----------	----------	----------	----------	----------	----------	----------	------------	----------	----------

Tool Series

75

Rotation:

--- = Non Reversible

R = Reversible

Tool Style:

N = Nutrunner

Torque Control:

--- = Stall

A = Clecomatic Clutch

Throttle Type

L = Lever

Gearing Code:

2

3

4

5

Angle Head:

V = 1/2" or 5/8" Right Angle

X = 3/4" Right Angle

VHD = Hold & Drive

Square Drive:

4 = 1/2"

5 = 5/8"

6 = 3/4"

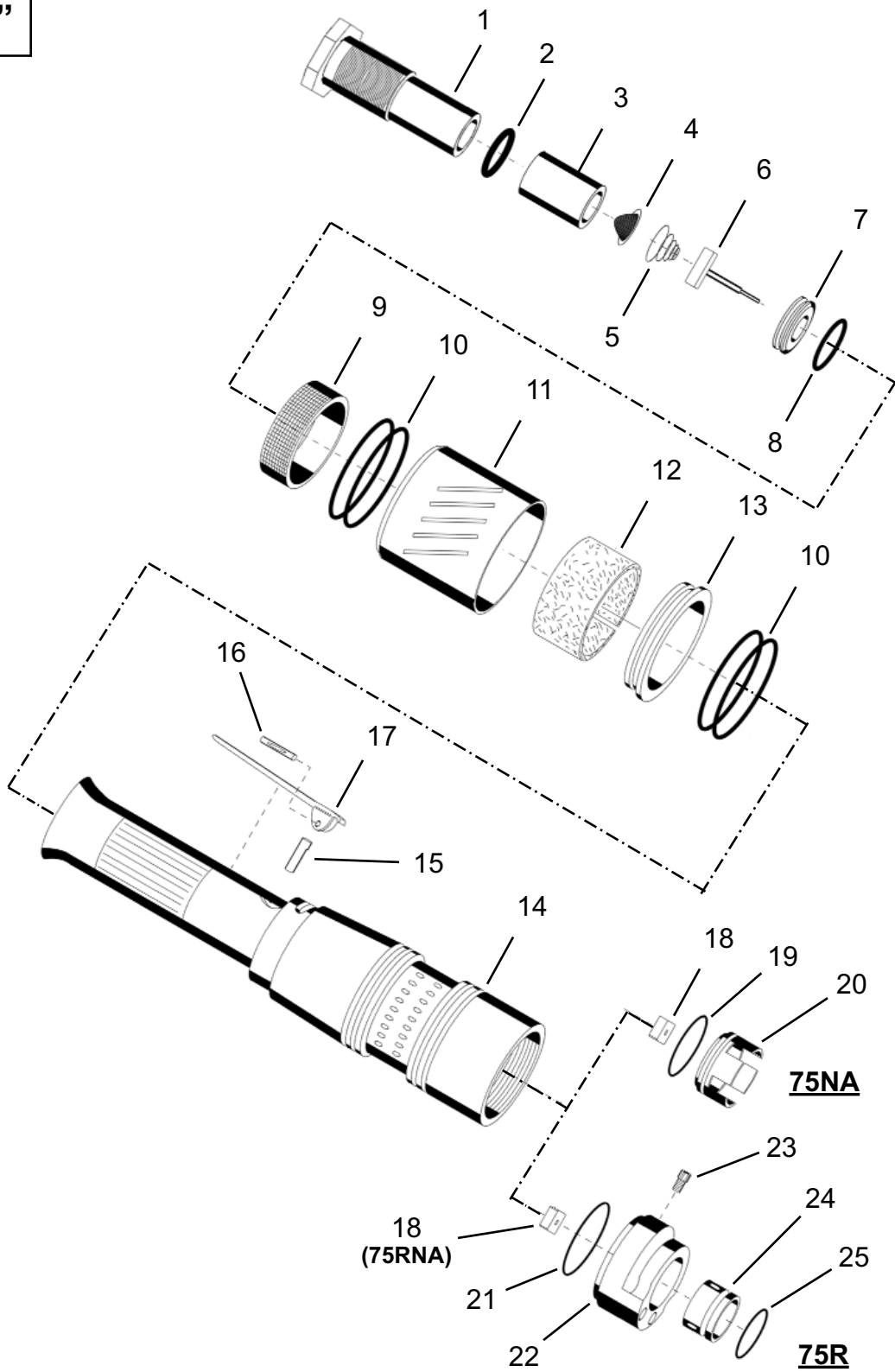
823157

October 14, 2008

Cleco®

Handle Assembly

"B"



Handle Assembly

Illustration, Abbildung, Illustration, Ilustración, Illustrazione "B"

Ref	Number	#	X	EN	DE	FR	ES	IT
				Description	Benennung	Designation	Descripción	Descrizione
1	869933	1		Inlet Bushing	Einlaß Buchse	Bushing d'arrivée	Buje de cala	Bushing di apertura
2	622881	1	3	O-Ring	O-Ring	Joint torique	Anillo "O"	Anello ad O
3	202508	1		Spacer	Distanzstück	Entretoise	Espaciador	Distanziale
4	843656	1	3	Air Inlet Screen	Luftfilter	Ecran d'air	Malla de aire	Schermo aria
5	864973	1	3	Spring	Druckfeder	Ressort	Resorte	Molla
6	202055	1	1	Throttle Valve	Drosselventil	Papillon	Válvula de estrangulación	Valvola di regolazione
7	869931	1		Valve Seat	Ventilsitz	Siège de soupape	Asiento de la válvula	Sede valvola
8	622062	1	3	O-Ring	O-Ring	Joint torique	Anillo "O"	Anello ad O
9	Table "B"	1		Reverse Ring	Umschaltring	Anneau de renversement	Anillo de inversión	Anello di reversibilità
10	615018	4	12	O-Ring	O-Ring	Joint torique	Anillo "O"	Anello ad O
11	202051	1		Exhaust Deflector	Auspuffblende	Défecteur d'échappement	Deflector de escape	Deflettore di scarico
12	869943	1	3	Muffler	Schalldämpfer	Silencieux	Silenciador	Silenziatore
13	202050	1		Deflector Spacer	Distanzstück	Entretoise	Espaciador	Distanziale
14	Table "B"	1		Handle	Handgriff	Poignée	Manija	Impugnatura
15	202481	1	1	Throttle Pin	Stift	Clavette	Pasador	Spina
16	864195	1	1	Lever Pin	Stift	Clavette	Pasador	Spina
17	865063	1		Lever	Hebel	Levier	Palanca	Leva
18	869937	1	1	Shut-Off Valve	Ventil	Soupape	Válvula	Valvola
19	863880	1	3	O-Ring	O-Ring	Joint torique	Anillo "O"	Anello ad O
20	869936	1		Valve Block	Ventilgehäuse	Cage de soupape	Caja de la válvula	Corpo valvola
21	617510	1	3	O-Ring	O-Ring	Joint torique	Anillo "O"	Anello ad O
22	869940	1		Reverse Valve	Umsteuerventil	Vanne de renversement	Válvula de inversión	Valvola di reversibilità
23	867554	1	2	Screw	Schraube	Vis	Tornillo	Vite
24	869939	1		Valve Block	Ventilgehäuse	Cage de soupape	Caja de la válvula	Corpo valvola
25	847234	1	3	O-Ring	O-Ring	Joint torique	Anillo "O"	Anello ad O

(#) Quantity / Stückzahl / Quantité / Cantidad / Quantità

(X) Recommended Spare Parts / Kennzeichnet empfohlenes / Identifica un particolare di ricambio raccomandato / Designa el repuesto recomendado / Indique la pièce de rechange conseillée.

Table, Tabelle, Tableau, Tabla, Tabella "B"

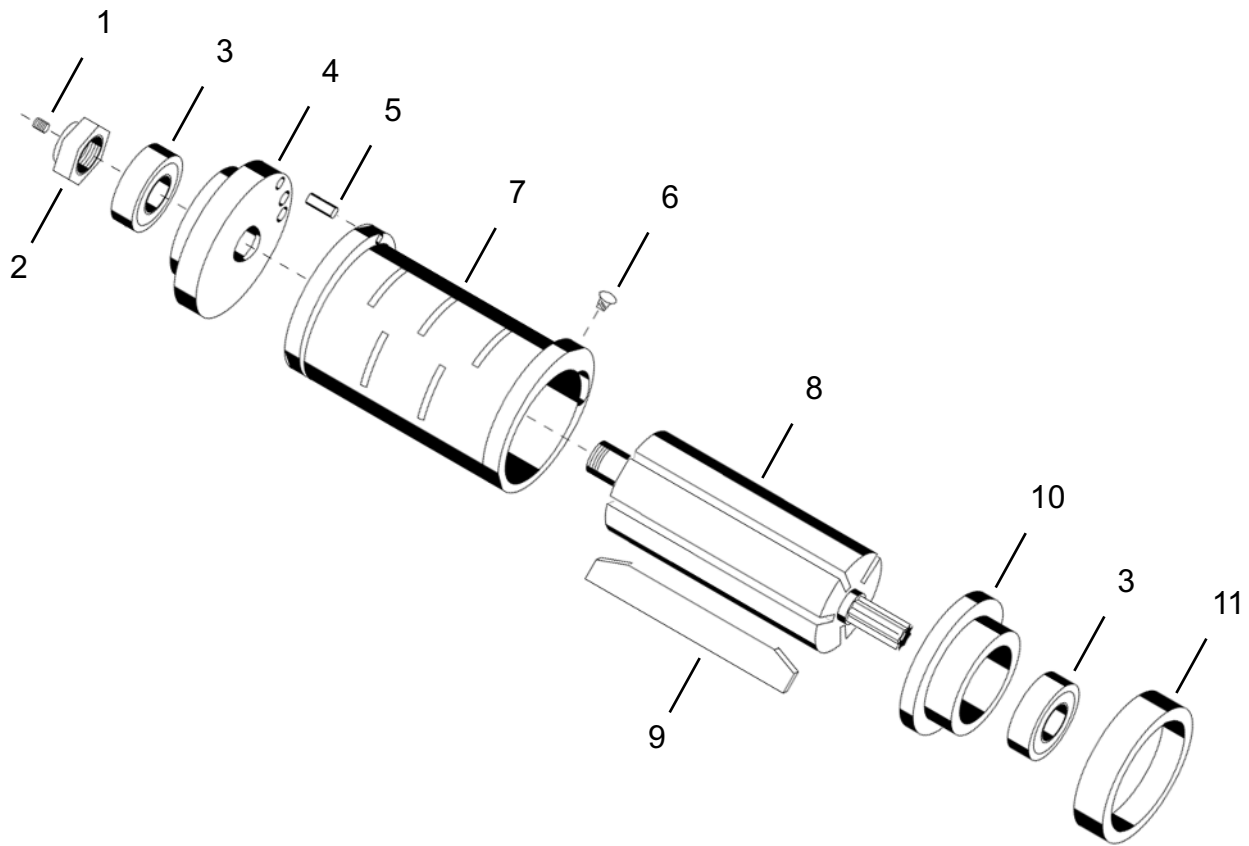
Ref.	Description	#	75NL	#	75NAL	#	75RNL	#	75RNAL
9	Reverse Ring		---		---	1	869942	1	869942
14	Handle	1	203150	1	203150	1	203151	1	203151

823157

October 14, 2008

Cleco® Motor Assembly

“C”



Cleco®

Motor Assembly

823157
October 14, 2008

Illustration, Abbildung, Illustration, Ilustración, Illustrazione "C"

Ref	Number	#	X	EN	DE	FR	ES	IT
				Description	Benennung	Designation	Descripción	Descrizione
1	Table "C"	1	3	Set Screw	Stellschraube	Vis de pression	Tornillo fijador	Vite di arresto
2	865352	1	2	Lock Nut	Überwurfmutter	Contre-ecrou molette	Tuerca de fijación	Dado di bloccaggio
3	847528	2	4	Ball Bearing	Kugellager	Roulement à billes	Cojinete de bolas	Cuscinetto a sfera
4	Table "C"	1		Rear Plate	Hintere Platte	Plaque arrière	Placa posterior	Piattello posteriore
5	812918	1	2	Cylinder Pin	Zylinderstift	Boulon de cylindre	Pasador del cilindro	Spina cilindro
6	Table "C"	1	2	Screw	Schraube	Vis	Tornillo	Vite
7	Table "C"	1		Cylinder	Zylinder	Cylindre	Cilindro	Cilindro
8	203147	1		Rotor	Rotor	Rotor	El rotor	Il rotore
9	869927	5	10	Rotor Blade	Rotorblatt	Palette	Alabe del rotor	Paletta del rotore
10	869923	1		Front Plate	Vorderplatte	Plaque de devanture	Placa frontal	Piattello anteriore
11	Table "C"	1		Motor Spacer	Distanzstück	Entretoise	Espaciador	Distanziale

(#) Quantity / Stückzahl / Quantité / Cantidad / Quantità

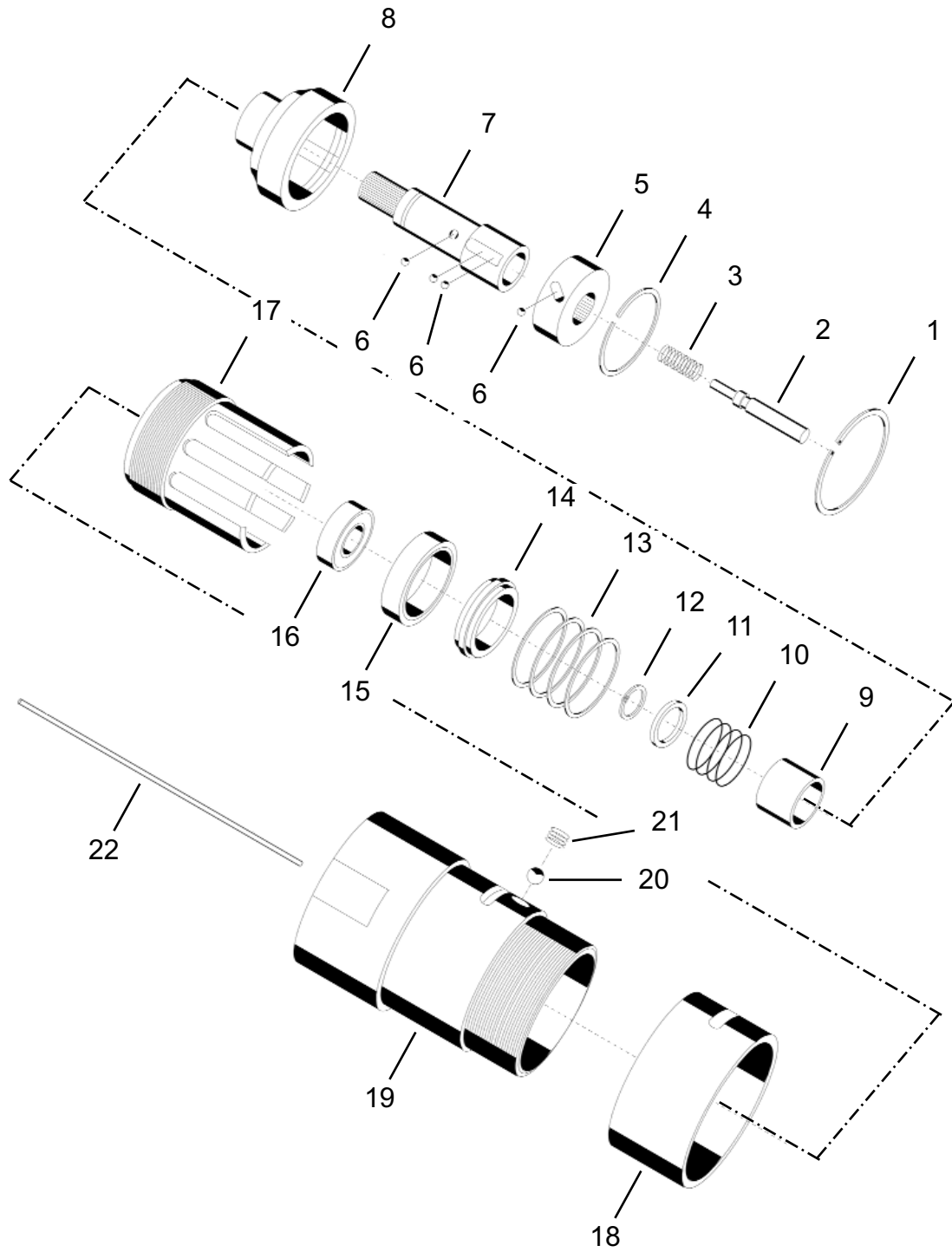
(X) Recommended Spare Parts / Kennzeichnet empfohlenes / Identifica un particolare di ricambio raccomandato / Designa el repuesto recomendado / Indique la pièce de rechange conseillée.

Table, Tabelle, Tableau, Tabla, Tabella "C"

Ref.	Description	#	75NL	#	75NAL	#	75RNL	#	75RNAL
1	Set Screw	1	847960		---	1	847960		-----
4	Rear Plate	1	869925	1	869925	1	869928	1	869928
6	Screw		-----		-----	1	847603	1	847603
7	Cylinder	1	203149	1	203149	1	203148	1	203148
11	Motor Spacer	1	869929		-----	1	869929		-----

Cleco®
Clecomatic Clutch

“D”



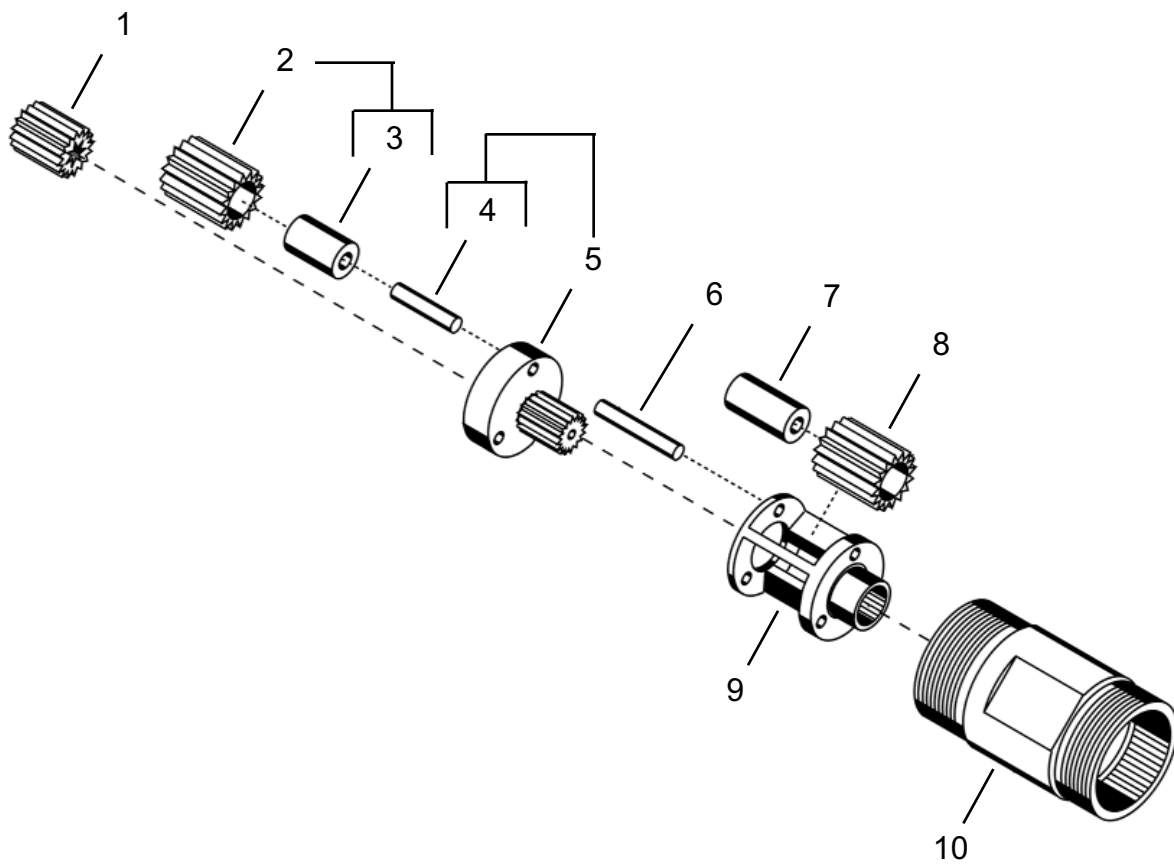
Illustration, Abbildung, Illustration, Ilustración, Illustrazione "D"

Ref	Number	#	X	EN	DE	FR	ES	IT
				Description	Benennung	Designation	Descripción	Descrizione
1	869920	1	2	Retaining Ring	Sicherungsring	Anneau de fixation	Anillo de retención	Anello di fissaggio
2	869916	1		Plunger	Plunger	Plongeur	Bomba de émbolo	Pistone
3	202057	1	3	Spring	Druckfeder	Ressort	Resorte	Molla
4	869921	1	2	Retaining Ring	Sicherungsring	Anneau de fixation	Anillo de retención	Anello di fissaggio
5	869913	1		Clutch Cam	Nocken	Came	Leva	Camma
6	842161	11	33	Steel Ball (3/16")	Stahlkugel (4.8mm)	Bloom d'acier (4.8mm)	Bola de acero (4.8mm)	Sfera in acciaio (4.8mm)
7	869915	1		Drive Shaft	Abtriebsschaft	Arbre de transmission	Eje motor	Albero motore
8	869914	1		Ball Retainer	Kugellager	Roulement à billes	Cojinete de bolas	Cuscinetto a sfera
9	867670	1		Sleeve	Kugelkäfig	Cage de roulement à billes	Retén de bolas	Gabbia sfere
10	202056	1	3	Spring	Druckfeder	Ressort	Resorte	Molla
11	867666	1		Drive Shaft Washer	Scheibe	Rondelle	Arandela	Rondella
12	847022	1	2	Retaining Ring	Sicherungsring	Anneau de fixation	Anillo de retención	Anello di fissaggio
13	869626	1	1	Torque Spring	Drehmomentfeder	Ressort de torsion	Resorte de torsión	Molla di torsione
14	867669	1		Torque Spring Plate	Platte	Plaque	Placa	Piattello
15	867683	1	2	Bearing	Lager	Coussinet	Cojinete	Cuscinetto
16	847528	1	2	Ball Bearing	Kugellager	Roulement à billes	Cojinete de bolas	Cuscinetto a sfera
17	869917	1		Adjusting Nut	StellmuFtter	Stellmutter	Tuerca ajustadora	Dado di regolazione
18	869918	1		Adjustment Cover	Verstelldeckel	Couvercle de réglage	Cubierta de ajuste	Piattello di regolazione
19	869912	1		Clutch Housing	Kupplungsgehäuse	Cage d'embrayage	Caja del embragüe	Corpo frizione
20	842162	1	3	Steel Ball (1/4")	Stahlkugel (6.3mm)	Bloom d'acier (6.3mm)	Bola de acero (6.3mm)	Sfera in acciaio (6.3mm)
21	869919	1	3	Ball Spring	Druckfeder	Ressort	Resorte	Molla
22	869938	1	2	Trip Rod	Ventilstößel	Tige-poussoir	Varilla de empuje	Asta di comando

(#) Quantity / Stückzahl / Quantité / Cantidad / Quantità

(X) Recommended Spare Parts / Kennzeichnet empfohlene / Identifica un particolare di ricambio raccomandato / Designa el repuesto recomendado / Indique la pièce de rechange conseillée.

“E”



Illustration, Abbildung, Illustration, Ilustración, Illustrazione "E"

Ref	Number	#	X	EN	DE	FR	ES	IT
				Description	Benennung	Designation	Descripción	Descrizione
1	Table "E"	1	2	Pinion Gear	Ritzelgetriebe	Pignon d'entraînement	Piñon diferencial	Ingranaggio a pignone
2	Table "E"	3	6	Idler Gear	Zwischenzahnrad	Engrenage secondaire	Engranaje secundario	Ingranaggio intermedio
3	844774	3	6	Bearing	Lager	Coussinet	Cojinete	Cuscinetto
4	832125	3	6	Idler Pin	Zwischenradbolzen	Broche pour roue intermédiaire	Piñon loco	Perno dell'ingranaggio intermedio
5	Table "E"	1		Idler Plate	Zwischenplatte	Plaque de roue intermédiaire	Placa intermedia	Piastra intermedia
6	869908	3	6	Idler Pin	Zwischenradbolzen	Broche pour roue intermédiaire	Piñon loco	Perno dell'ingranaggio intermedio
7	869907	39	78	Needle Roller	Nadelrolle	Galet à aiguilles	Cilindro de púas	Rullo
8	Table "E"	3	6	Idler Gear	Zwischenzahnrad	Engrenage secondaire	Engranaje secundario	Ingranaggio intermedio
9	Table "E"	1		Gear Cage	Planetenradträger	Cage d'engrenage	Jaula de engranajes	Gabbia ingranaggio
10	869906	1		Gear Case	Getriebegehäuse	Couvre-engrenages	Caja de engranaje	Scatola ingranaggio

(#) Quantity / Stückzahl / Quantité / Cantidad / Quantità

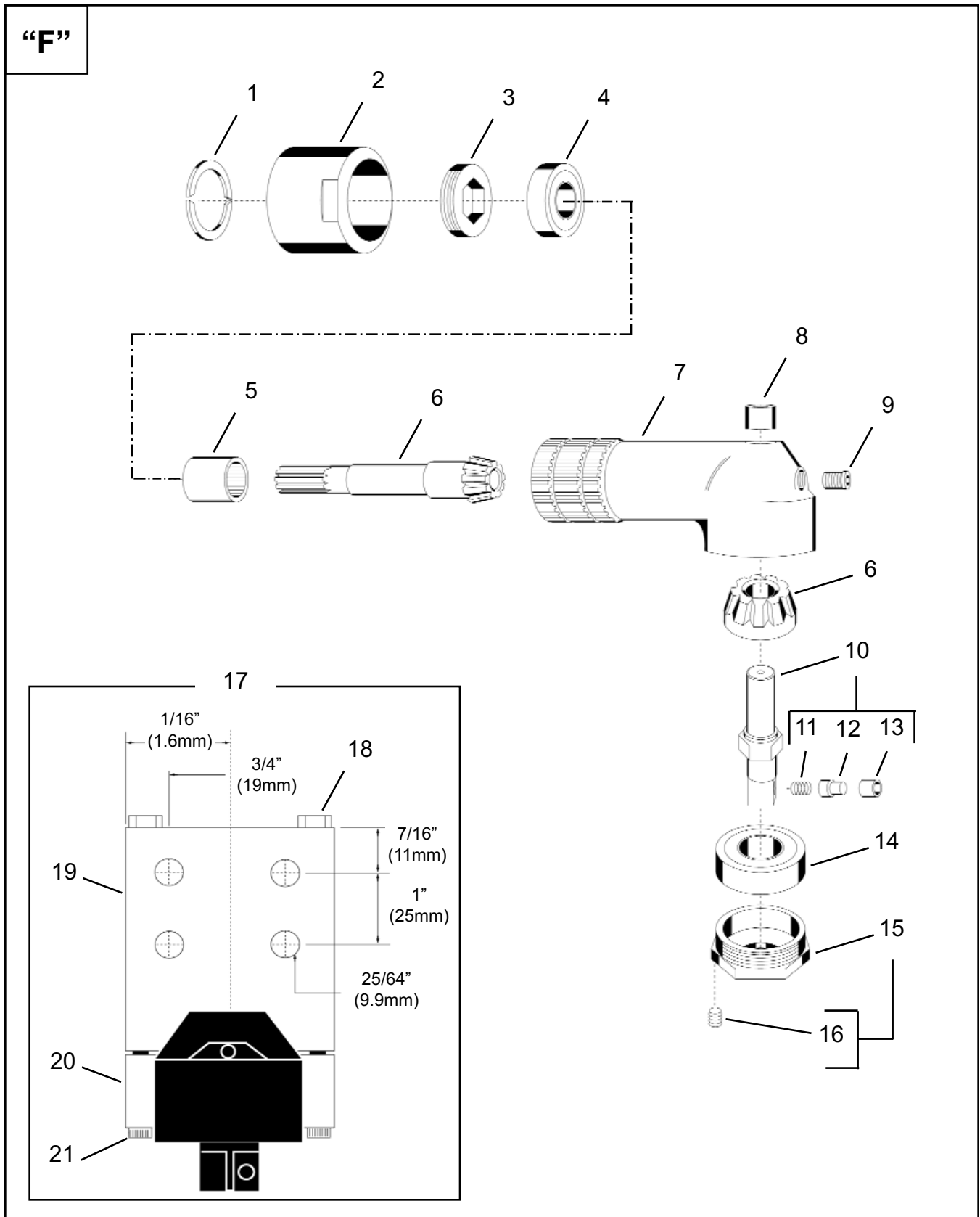
(X) Recommended Spare Parts / Kennzeichnet empfohlenes / Identifica un particolare di ricambio raccomandato / Designa el repuesto recomendado / Indique la pièce de rechange conseillée.

Table, Tabelle, Tableau, Tabla, Tabella "E"

Ref.	Description	#	-2	#	-3	#	-4	#	-5
1	Pinion Gear		-----		-----	1	869901	1	869901
2	Idler Gear	3	869900 (21T)	3	869900 (21T)	3	869899 (17T)	3	869899 (17T)
5	Idler Plate	1	869897	1	869898	1	869897	1	869898
8	Idler Gear	3	869902 (18T)	3	869903 (15T)	3	869902 (18T)	3	869903 (15T)
9	Gear Cage	1	869904	1	869905	1	869904	1	869905

(T) Teeth / Zähne / Dents / Dientes / Dente

“V” & “X” Right Angle Square Drive Attachments



"V" & "X" Right Angle Square Drive Attachments

Illustration, Abbildung, Illustration, Ilustración, Illustrazione "F"

Ref	Number	#	X	EN	DE	FR	ES	IT
				Description	Benennung	Designation	Descripción	Descrizione
--	Table "F"	1		Angle Attachment	Winkelstück	Accessoire d'équerre	Accesorio angular	Testina angolare
1	869879	1		Retaining Ring	Sicherungsring	Anneau de fixation	Anillo de retención	Anello di fissaggio
2	869878	1		Clamp Nut	Mutter	Ecrou	Tuerca	Dado
3	869877	1		Bearing Retainer	Lagergehäuse	Arrêt de roulement	Retén del cojinete	Gabbia del cuscinetto
4	847659	1	2	Ball Bearing	Kugellager	Roulement à billes	Cojinete de bolas	Cuscinetto a sfera
5	869880	1	2	Needle Bearing	Nadellager	Cage à aiguilles	Cojinete de agujas	Cuscinetto a rulli
6	Table "F"	1	1	Pinion Gear Set	Ritzelgetriebe	Pignon d'entraînement	Piñon diferencial	Ingranaggio a pignone
7	Table "F"	1		Angle Head	Winkelkopf	Tête angulaire	Cabezal angular	Testa angolare
8	Table "F"	1	2	Needle Bearing	Nadellager	Cage à aiguilles	Cojinete de agujas	Cuscinetto a rulli
9	867546	1	1	Grease Fitting	Schmiernippel	Monture de graisse	Accesorio de grasa	Ingrassatore
10	Table "F"	1		Spindle	Spindel	Arbre	Husillo	Mandrino
11	864712	1	3	Spring	Druckfeder	Ressort	Resorte	Molla
12	864711	1	3	Pin	Stift	Clavette	Pasador	Spina
13	Table "F"	1	3	Retainer	Haltevorrichtung	Bague d'arrêt	Retén	Fermo
	Table "F"	2	4	Retainer	Haltevorrichtung	Bague d'arrêt	Retén	Fermo
14	Table "F"	1	2	Ball Bearing	Kugellager	Roulement à billes	Cojinete de bolas	Cuscinetto a sfera
15	Table "F"	1		Bearing Cap	Kappe	Chapeau	Tapa	Cappello
16	867997	1	2	Set Screw	Stellschraube	Vis de pression	Tornillo fijador	Vite di arresto
17	201034	1		Reaction Bar Asm.	Reaktions-Stab	Barre de réaction	Barra de la reacción	Barra di reazione
18	845995	2	2	Lock Nut	Überwurfmutter	Contre-ecrou molette	Tuerca de fijación	Dado di bloccaggio
19	202484	1		Reaction Bracket	Reaktions-Klammer	Support de réaction	Soporte de la reacción	Staffa di reazione
20	202483	1		Clamp	Klammer	Serre-joint	La abrazadera	Il morsetto
21	202485	2	2	Bolt	Bolzen	Boulon	Perno	Dado

(#) Quantity / Stückzahl / Quantité / Cantidad / Quantità

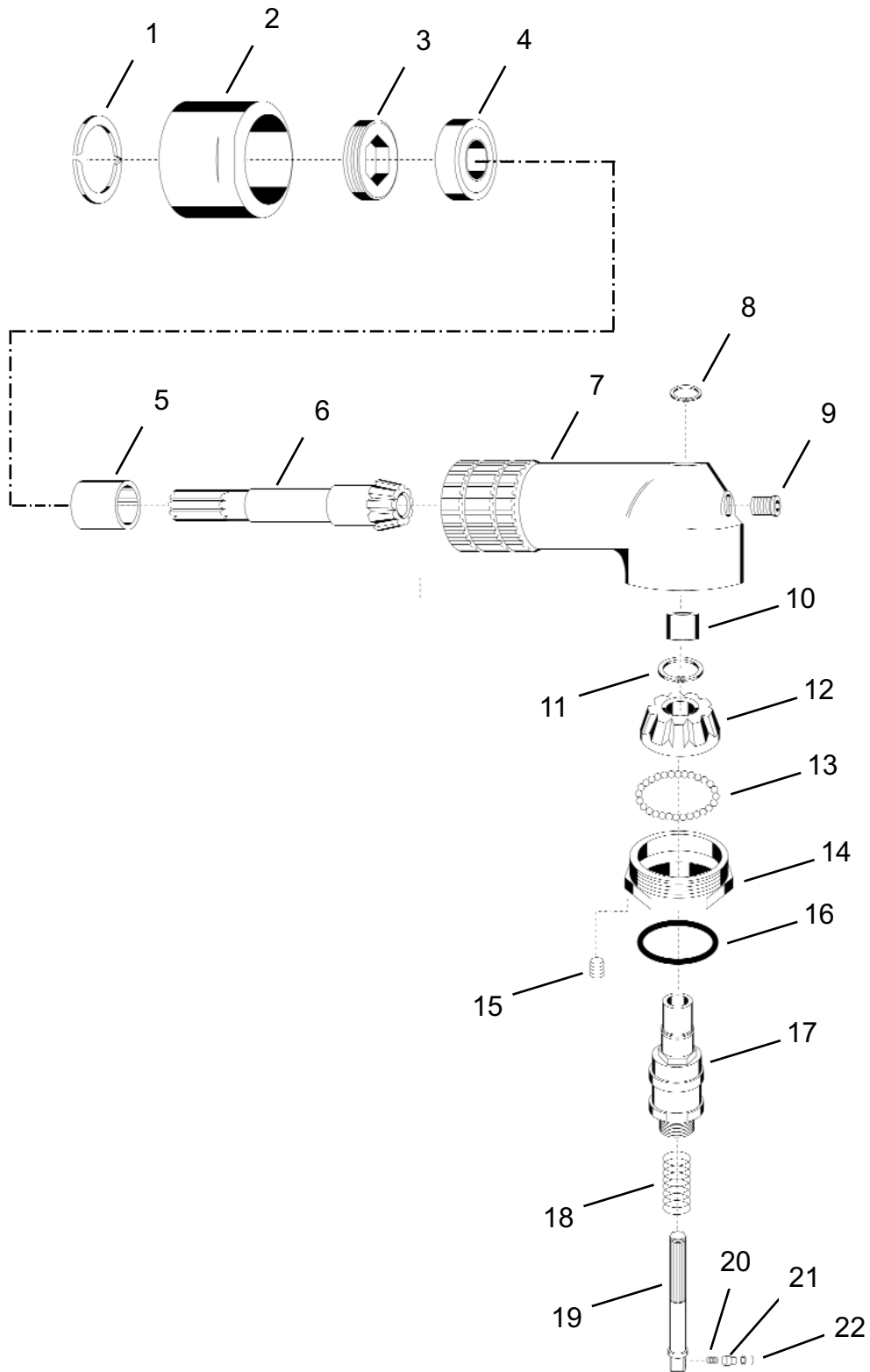
(X) Recommended Spare Parts / Kennzeichnet empfohlenes / Identifica un particolare di ricambio raccomandato / Designa el repuesto recomendado / Indique la pièce de rechange conseillée.

Table, Tabelle, Tableau, Tabla, Tabella "F"

Ref.	Description	#	"V" - 5/8"	#	"V" - 1/2"	#	"X" - 3/4"
--	Angle Head Asm.	1	861980	1	861904	1	861906
6	Pinion Gear Set	1	861903	1	861903	1	861905
7	Angle Head	1	869874	1	869874	1	869875
8	Needle Bearing	1	869882	1	869882	1	883720
10	Spindle	1	869883	1	869886	1	869888
13	Retainer	2	864710	1	864710	1	864710
14	Ball Bearing	1	869881	1	869881	1	812222
15	Bearing Cap	1	869876	1	869876	1	869887

VHD Right Angle Hold & Drive Attachment

“G”



VHD Right Angle Hold & Drive Attachment

Illustration, Abbildung, Illustration, Ilustración, Illustrazione "G"

Ref	Number	#	X	EN	DE	FR	ES	IT
				Description	Benennung	Designation	Descripción	Descrizione
--	201709	1		Angle Attachment	Winkelstück	Accessoire d'équerre	Accesorio angular	Testina angolare
1	869879	1		Retaining Ring	Sicherungsring	Anneau de fixation	Anillo de retención	Anello di fissaggio
2	869878	1		Clamp Nut	Mutter	Ecrou	Tuerca	Dado
3	869877	1		Bearing Retainer	Lagergehäuse	Arrêt de roulement	Retén del cojinete	Gabbia del cuscinetto
4	847659	1	2	Ball Bearing	Kugellager	Roulement à billes	Cojinete de bolas	Cuscinetto a sfera
5	869880	1	2	Needle Bearing	Nadellager	Cage à aiguilles	Cojinete de agujas	Cuscinetto a rulli
6	204385	1	1	Pinion Gear	Ritzelgetriebe	Pignon d'entraînement	Piñon diferencial	Ingranaggio a pignone
7	204384	1		Angle Head	Winkelkopf	Tête angulaire	Cabezal angular	Testa angolare
8	867924	1	2	Retaining Ring	Sicherungsring	Anneau de fixation	Anillo de retención	Anello di fissaggio
9	867546	1	1	Grease Fitting	Schmiernippel	Monture de graisse	Accesorio de grasa	Ingrassatore
10	204350	1	2	Needle Bearing	Nadellager	Cage à aiguilles	Cojinete de agujas	Cuscinetto a rulli
11	622772	1	2	Retaining Ring	Sicherungsring	Anneau de fixation	Anillo de retención	Anello di fissaggio
12	204355	1	1	Bevel Gear	Kegelrad	Engrenage conique	Engranaje cónico	Ingranaggio conico
13	842160	22	44	Steel Ball	Stahlkugel	Bloom d'acier	Bola de acero	Sfera in acciaio
14	204345	1		Bearing Cap	Kappe	Chapeau	Tapa	Cappello
15	867997	1	2	Set Screw	Stellschraube	Vis de pression	Tornillo fijador	Vite di arresto
16	617290	1	3	O-Ring	O-Ring	Joint torique	Anillo "O"	Anello ad O
17	204344	1		Spindle	Spindel	Arbre	Husillo	Mandrino
18	204349	1	3	Spring	Druckfeder	Ressort	Resorte	Molla
19	204346	1		Hold & Drive Spindle	Spindel	Arbre	Husillo	Mandrino
20	864712	1	3	Spring	Druckfeder	Ressort	Resorte	Molla
21	864711	1	3	Pin	Stift	Clavette	Pasador	Spina
22	864710	1	3	Retainer	Haltevorrichtung	Bague d'arrêt	Retén	Fermo

(#) Quantity / Stückzahl / Quantité / Cantidad / Quantità

(X) Recommended Spare Parts / Kennzeichnet empfohlenes / Identifica un particolare di ricambio raccomandato / Designa el repuesto recomendado / Indique la pièce de rechange conseillée.

Sales & Service Centers

Note: All locations may not service all products. Please contact the nearest Sales & Service Center for the appropriate facility to handle your service requirements.

Dallas, TX
**Apex Tool Group
Sales & Service Center**
1470 Post & Paddock
Grand Prairie, TX 75050
Tel: 972-641-9563
Fax: 972-641-9674

Detroit, MI
**Apex Tool Group
Sales & Service Center**
2630 Superior Court
Auburn Hills, MI 48326
Tel: 248-391-3700
Fax: 248-391-7824

Houston, TX
**Apex Tool Group
Sales & Service Center**
6550 West Sam Houston
Parkway North, Suite 200
Houston, TX 77041
Tel: 713-849-2364
Fax: 713-849-2047

Lexington, SC
Apex Tool Group
670 Industrial Drive
Lexington, SC 29072
Tel: 800-845-5629
Tel: 803-951-7544
Fax: 803-358-7681

Los Angeles, CA
**Apex Tool Group
Sales & Service Center**
15503 Blackburn Avenue
Norwalk, CA 90650
Tel: 562-623-4457
Fax: 562-802-1718

Seattle, WA
**Apex Tool Group
Sales & Service Center**
2865 152nd Avenue N.E.
Redmond, WA 98052
Tel: 425-497-0476
Fax: 425-497-0496

York, PA
**Apex Tool Group
Sales & Service Center**
3990 East Market Street
York, PA 17402
Tel: 717-755-2933
Fax: 717-757-5063

Canada
**Apex Tool Group
Sales & Service Center**
5925 McLaughlin Road
Mississauga, Ont. L5R 1B8
Canada
Tel: 905-501-4785
Fax: 905-501-4786

Germany
Cooper Power Tools
GmbH & Co. OHG
a company of
Apex Tool Group, LLC
Industriestraße 1
73463 Westhausen
Germany
Tel: +49 (0) 73 63 81 0
Fax: +49 (0) 73 63 81 222

England
Cooper Power Tools
GmbH & Co. OHG
a company of
Apex Tool Group, LLC
C/O Spline Gauges
Piccadilly, Tamworth
Staffordshire B78 2ER
United Kingdom
Tel: +44 1827 8741 28
Fax: +44 1827 8741 28

France
Cooper Power Tools SAS
a company of
Apex Tool Group, LLC
25 rue Maurice Chevalier
77330 Ozoir-La-Ferrière
France
Tel: +33 1 6443 2200
Fax: +33 1 6443 1717

China
Cooper (China) Co., Ltd.
a company of
Apex Tool Group, LLC
955 Sheng Li Road,
Heqing Pudong, Shanghai
China 201201
Tel: +86-21-28994176
Fax: +86-21-51118446

Mexico
Cooper Tools
de México S.A. de C.V.
a company of
Apex Tool Group, LLC
Vialidad El Pueblito #103
Parque Industrial Querétaro
Querétaro, QRO 76220
Mexico
Tel: +52 (442) 211-3800
Fax: +52 (442) 103-0443

Brazil
Cooper Tools Industrial Ltda.
a company of
Apex Tool Group, LLC
Av. Liberdade, 4055
Zona Industrial - Iporanga
SP Brazil
Tel: +55 15 2383929
Fax: +55 15 2383260

Hungary
Cooper Tools Hungaria Kft.
a company of
Apex Tool Group, LLC
Berkenyefa sor 7
Pf: 640
9027 Győr
Hungary
Tel: +36 96 66 1383
Fax: +36 96 66 1135

Apex Tool Group, LLC
1000 Lufkin Road
Apex, NC 27539
Phone: 919-387-0099
Fax: 919-387-2614
www.apextoolgroup.com

Cleco®