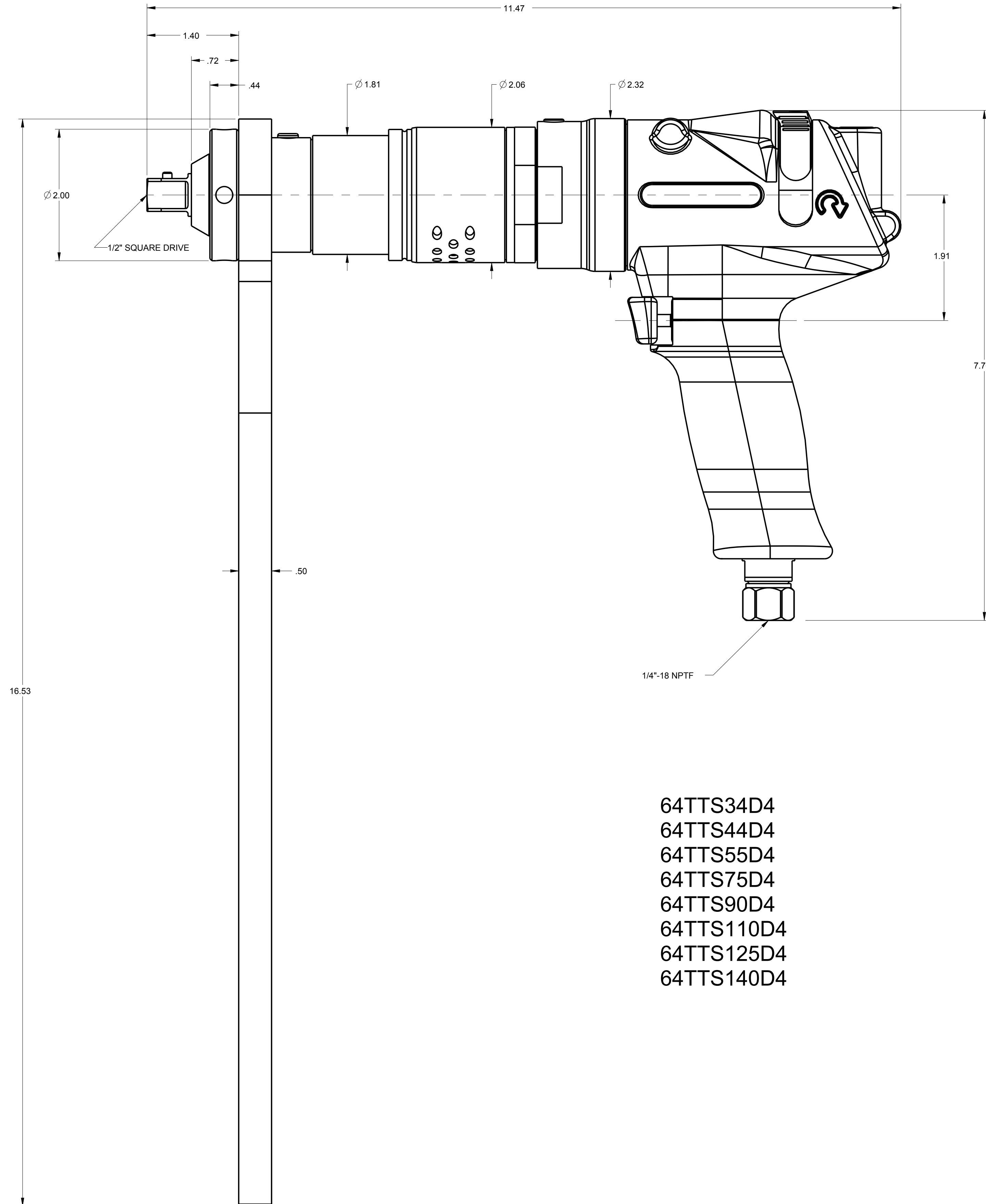
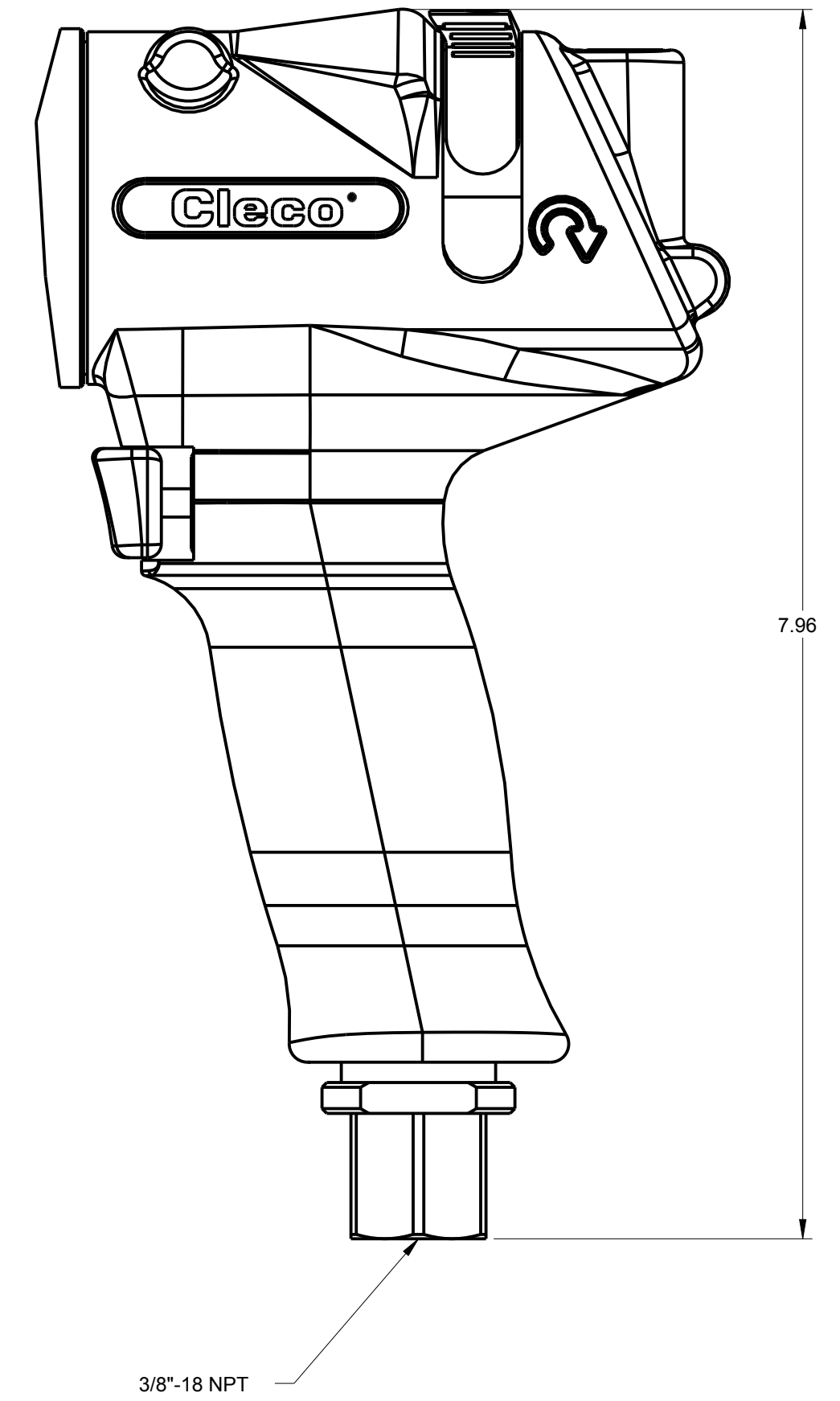


FOR LASER MARKING DETAILS
SEE SHXXXXX



- 64TTS34D4
- 64TTS44D4
- 64TTS55D4
- 64TTS75D4
- 64TTS90D4
- 64TTS110D4
- 64TTS125D4
- 64TTS140D4



64TTK...D4



This document contains confidential and trade secret information which is the property of Apex Tool Group and receipt or possession does not convey any rights to loan, sell, or otherwise disclose said information. Reproduction or use of said information for any purpose other than that in connection with which said information was supplied may not be made without express written permissions of Apex Tool Group. This document is to be returned to Apex Tool Group upon request and in all events upon completion of the purpose for which it is loaned.

ZONEREV	REVISION	DATE	BY
B1	2 ADDED 64TTK HANDLE ASM. VIEW	5/30/03	SCS
---	3 UPDATED PRINT TO SHOW ADDED PARTS	1/19/11	SCS

MATERIAL	ASSEMBLY	DESCRIPTION	ASSEMBLY DRW.
HEAT TREAT	N/A		64TTS
HARDNESS	N/A		NUTRUNNER
FINISH	N/A	DRAWN BY: ERG JPP	DATE: 1/21/11
SIMILAR TO	N/A	SCALE: 1:1	SHEET: 1 OF 1
PART NO.	64tts34d4	REV. DATE: 1/19/11	REV: 3
		DRAWING NO.	SH10991

D

C

B

A

D

C

B

A

5

4

3

2

1

5

4

3

2

1