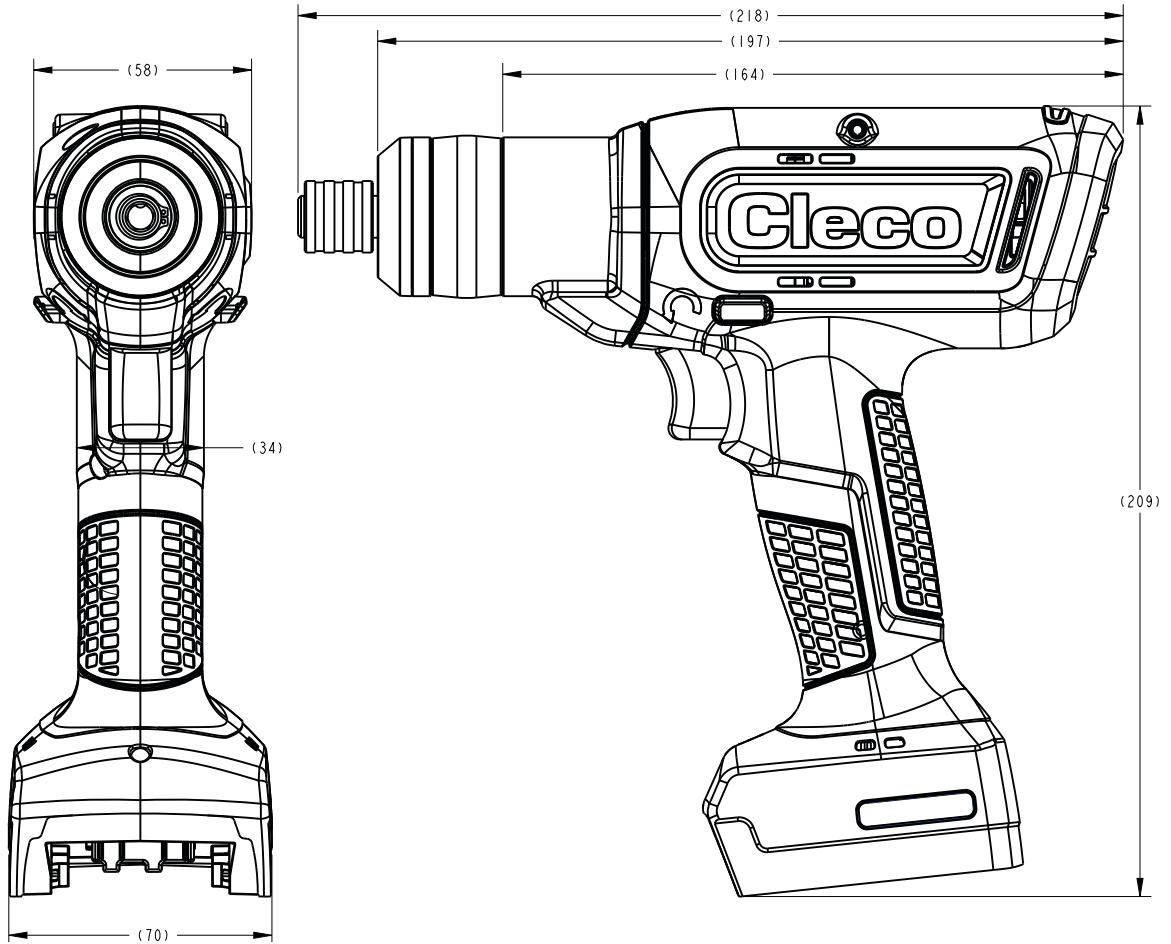


CellClutch Pistol Series



Accuracy - Cmk > 1.67 +/- 10%

Connected Advantage

WiFi (2.4 & 5 GHz) and Bluetooth® v4.2 (Low Energy and BR/EDR) wireless communication for easy-to-program setting adjustments, live reporting, traceability, and batch counting through the mPro controller platform.

* Available in Connected version only, mPro Controller sold separately

* Bluetooth is a registered trademark owned by Bluetooth SIG, Inc.

MODEL NUMBER	SPEED		Nm		Ft-lb		WEIGHT* kg (lb)	LENGHT mm (in)	SIDE TO CENTER mm (in)	HEIGHT mm (in)	OUTPUT	WIFI/ BLUETOOTH
	r/min	r/max	Min Torque	Max Torque	Min Torque	Max Torque						
CLBP04Q	177	1500	1.1	4	0.8	2.9	1.1 (2.4)	218 (8.6)	29 (1.14)	209 (8.2)	1/4" Quick Change	
CLBPW04Q**	177	1500	1.1	4	0.8	2.9	1.1 (2.4)	218 (8.6)	29 (1.14)	209 (8.2)	1/4" Quick Change	•
CLBP08Q	100	985	2.1	8	1.5	5.9	1.1 (2.4)	218 (8.6)	29 (1.14)	209 (8.2)	1/4" Quick Change	
CLBPW08Q**	100	985	2.1	8	1.5	5.9	1.1 (2.4)	218 (8.6)	29 (1.14)	209 (8.2)	1/4" Quick Change	•
CLBP12Q	70	700	3.2	12	2.4	8.8	1.1 (2.4)	218 (8.6)	29 (1.14)	209 (8.2)	1/4" Quick Change	
CLBPW12Q**	70	700	3.2	12	2.4	8.8	1.1 (2.4)	218 (8.6)	29 (1.14)	209 (8.2)	1/4" Quick Change	•

*Values do not include battery. 2.0 Ah Battery weighs 0.43 kg. 5.0 Ah Battery weighs 0.72 kg.

**Region Model Numbers: -NA (North America), -EU (EMEA), -CN (China), -00 (Rest of World)



Country of Origin: USA

Cleco | Tame the Line

Visit ClecoTools.com to download 3D CAD files

Apex Tool Group, LLC.