

Parts Manual
PL12-64TT
04/07/2011

Cleco®

64TT Series
Pistol Grip Stall Bar Nutrunners



For additional product information visit our website at <http://www.apextoolgroup.com>

"A"

64TT . . . D4 Series Assembly

Models:

34D4

44D4

55D4

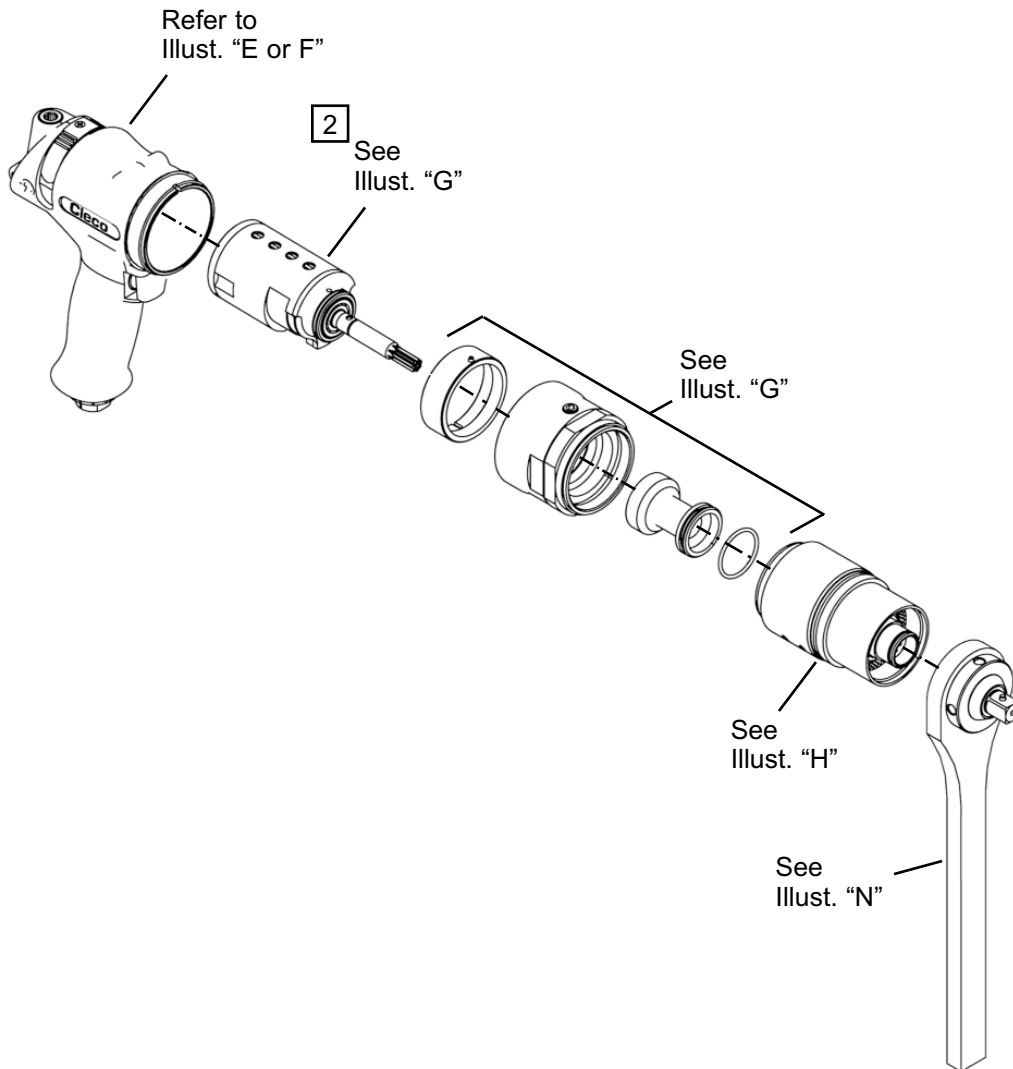
75D4

90D4

110D4

125D4

140D4



2 See Assembly Notes

64TT Series Stall Bar Nutrunners

"B"

64TT . . . D6 Series Assembly

Models:

150D6

175D6

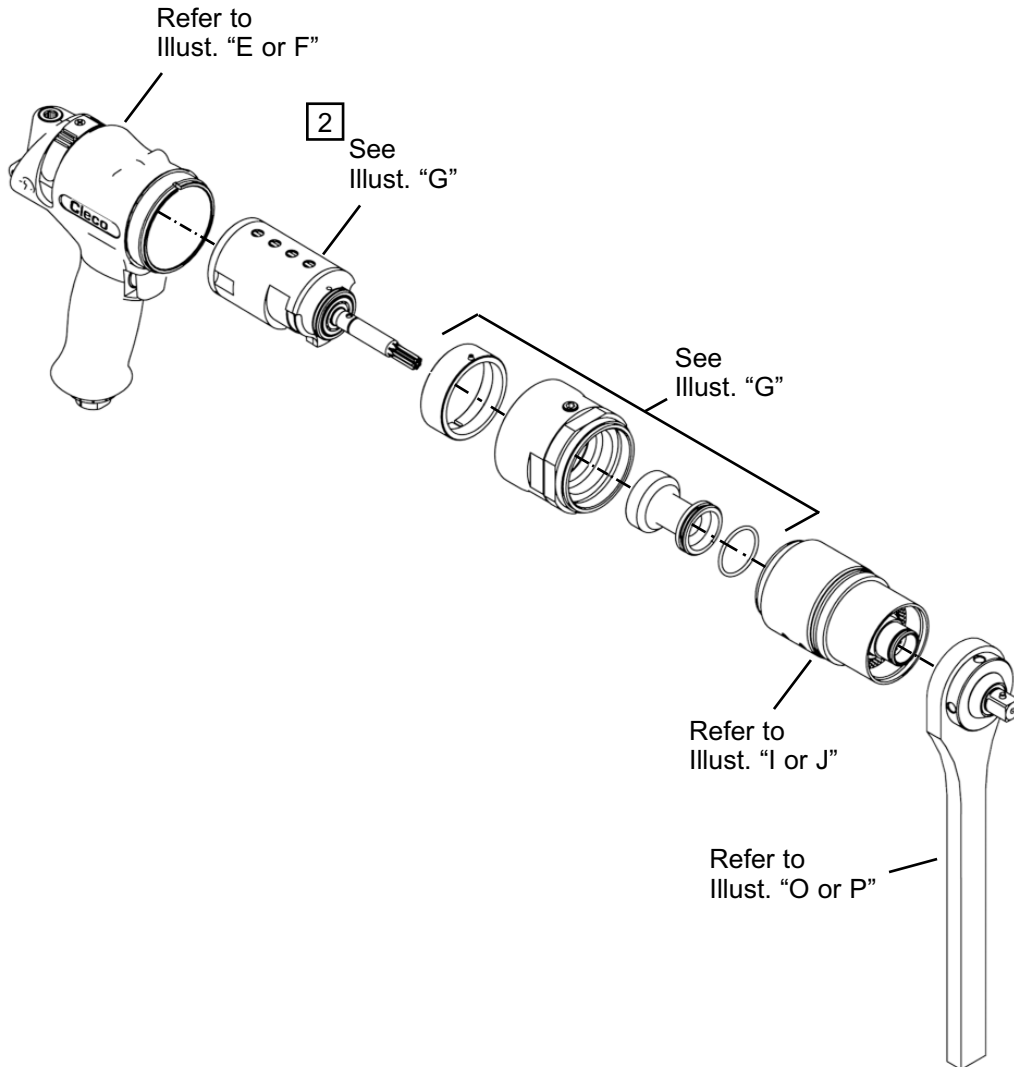
205D6

255D6

345D6

425D6

570D6

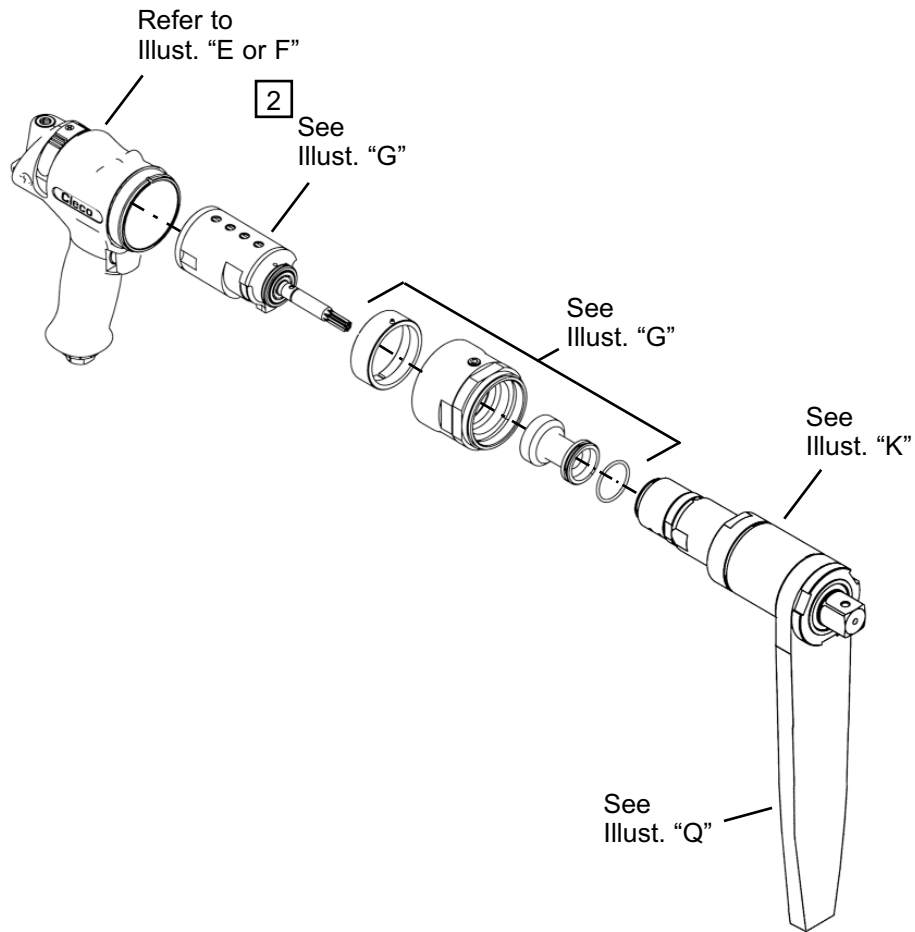


2 See Assembly Notes

"C"

64TT . . . D8 Series Assembly

Models:
640D8
750D8
930D8
1260D8
1475D8
1820D8
1985D8



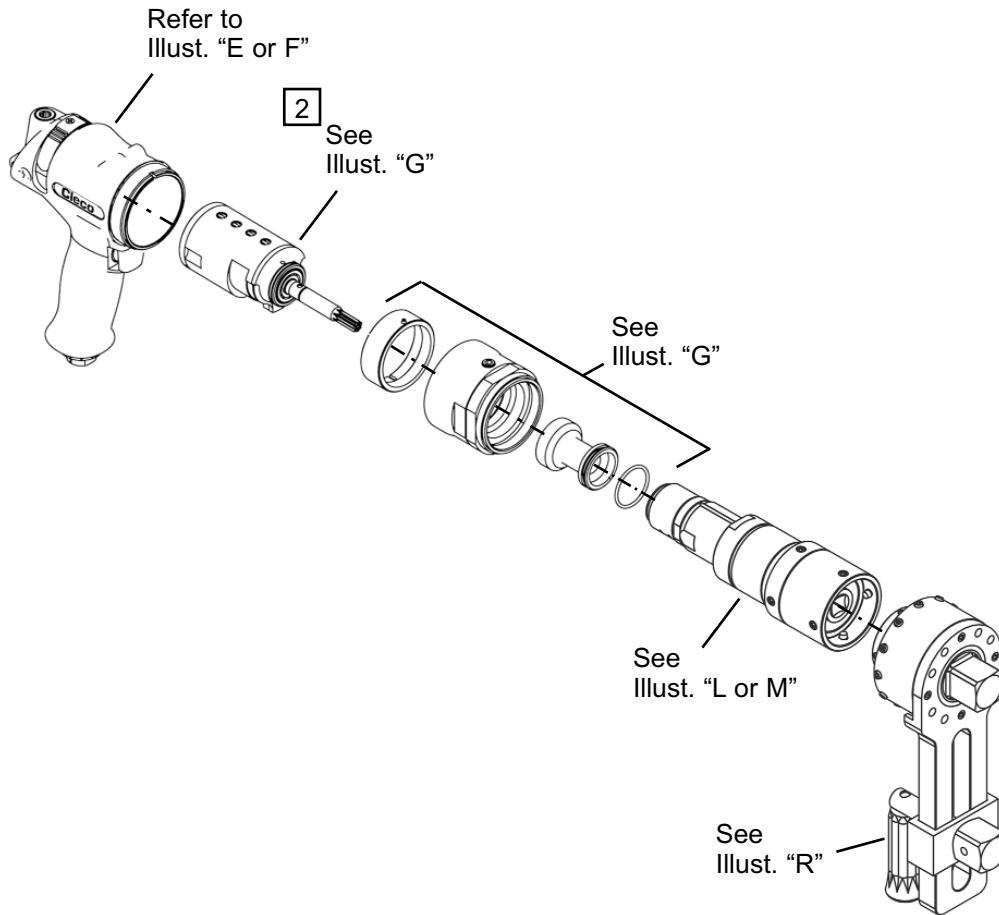
2 See Assembly Notes

64TT Series Stall Bar Nutrunners

“D”

64TT . . . D12 Assembly

**Model:
3850D12**



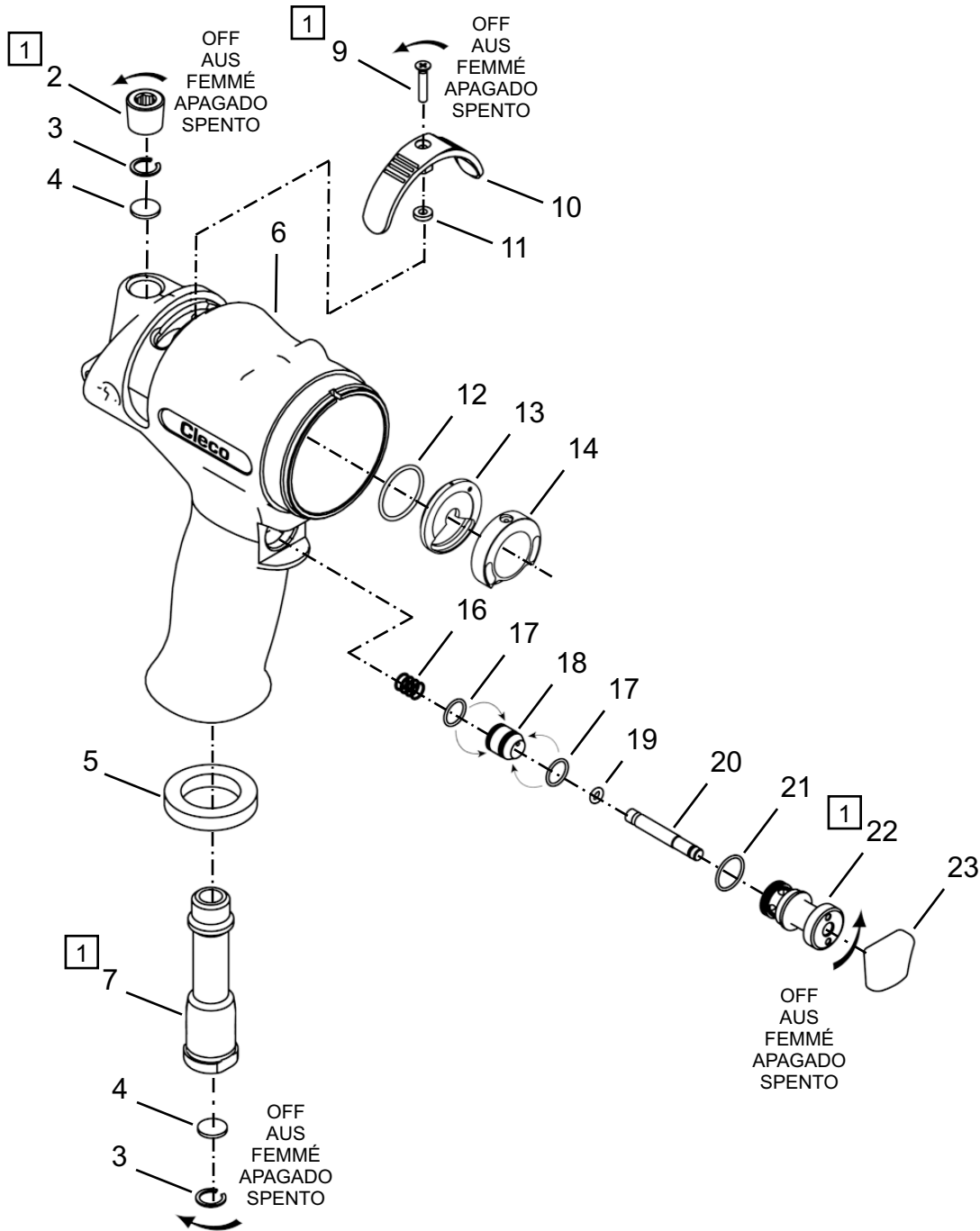
2 See Assembly Notes

“E”

64TTS Handle Assembly

Kit:

- 1) 301692 Air Inlet Kit
- 8) 301693 Reverse Kit
- 15) 301694 Trigger Kit



1 See Assembly Notes

64TT Series Stall Bar Nutrunners

Illustration "E" - 64TTS Handle Assembly

Index	Number	#	●	EN	DE	FR	ES	IT
				Description	Benennung	Designation	Descripción	Descrizione
1	301692	1		Air Inlet Kit	Satz	Ensemble	Juego	Corredo
2	---	1		Threaded Plug	Buchse	Tampon	Tapón	Spina
3	---	2	●	Retaining Ring	Sicherungsring	Anneau de fixation	Anillo de retención	Anello di fissaggio
4	---	2	●	Screen	Bildschirm	Ecran	Criba	Schermo
5	---	1	●	Muffler	Schalldämpfer	Silencieux	Silenciador	Silenziatore
6	543360	1		Pistol Housing	Pistolengehäuse	Cage de pistolet	Caja de pistola	Corpo pistola
7	541968	1		Air Inlet	Luftanschluß	Air Inlet	Entrée air comprimé	Attacco aria
8	301693	1		Reverse Kit	Satz	Ensemble	Juego	Corredo
9	---	1		Screw M3 x 16	Gewindestift	Vis	Tornillo	Vite
10	---	1		Reverse Slide	Umkehrschiebe	Glissement de renversement	Deslizamiento en reverso	Scorrimento inverso
11	---	1		Washer	Scheibe	Rondelle	Arandela	Rondella
12	---	1	●	O-Ring	O-Ring	Anneau "O"	Anillo "O"	Anello ad O
13	542952	1		Air Distributor	Luftverteiler	Distributeur d'air	Distribuidor de aire	Distributore aria
14	542951	1		Reverse Plate	Luftanschluß	Air Inlet	Entrée air comprimé	Attacco aria
15	301694	1		Trigger Kit	Satz	Ensemble	Juego	Corredo
16	---	1	●	Spring	Druckfeder	Ressort	Resorte	Molla
17	---	2	●	O-Ring	O-Ring	Anneau "O"	Anillo "O"	Anello ad O
18	---	1		Piston	Kolben	Piston	Embolo	Pistone
19	---	1	●	O-Ring	O-Ring	Anneau "O"	Anillo "O"	Anello ad O
20	---	1		Push Rod	Schaltstößel	Tige-poussoir de contrôle	Varilla de control de empuje	Asta di controllo
21	---	1	●	O-Ring	O-Ring	Anneau "O"	Anillo "O"	Anello ad O
22	---	1		Threaded Bushing	Lagerbuchse	Douille	Casquillo	Boccola
23	---	1		Trigger	Drücker	Déclencheur	Gatillo	Grilletto

(#) Quantity / Stückzahl / Quantité / Cantidad / Quantità

Service Kit:

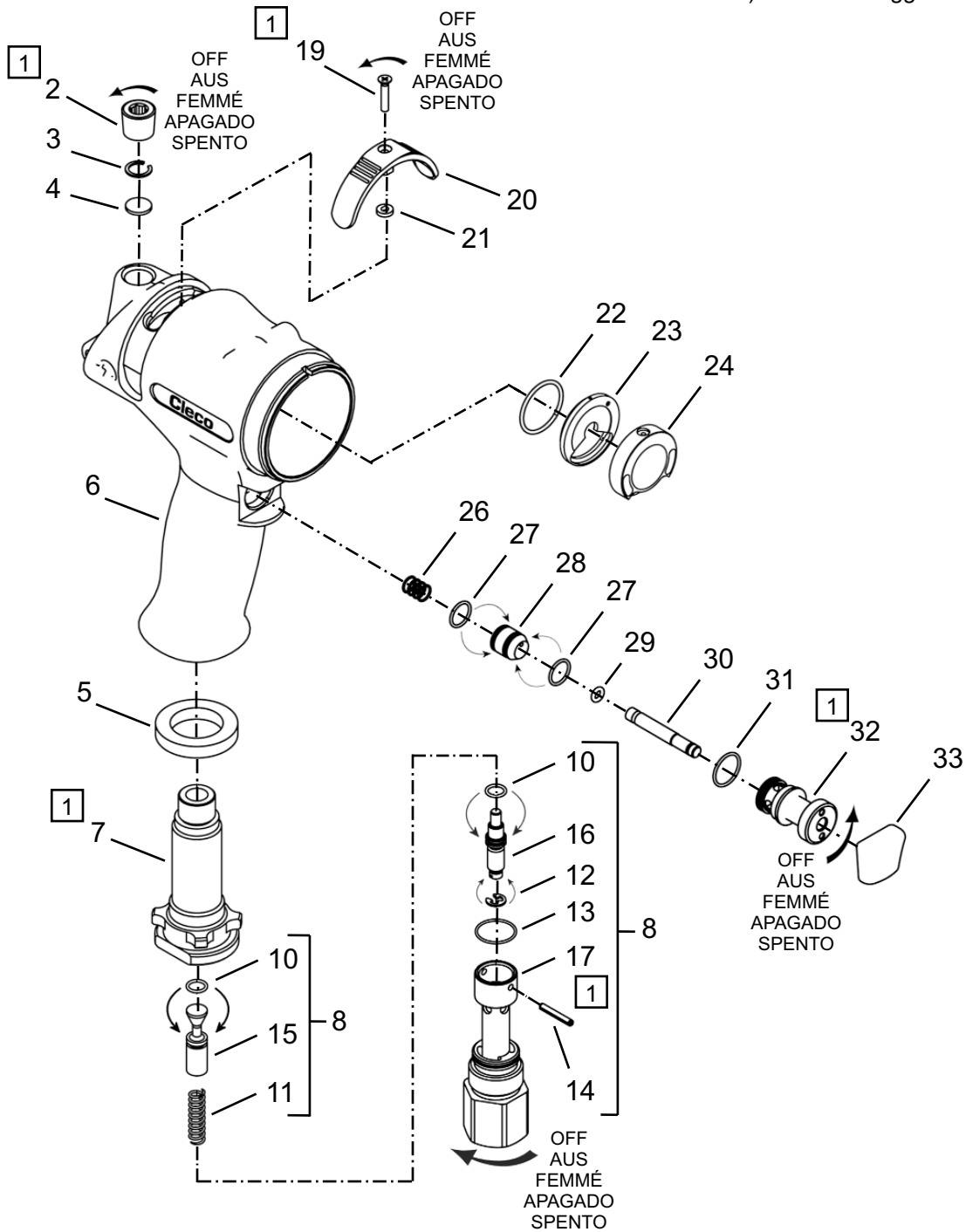
- 301727 Tune-Up Kit (64TTS)

"F"

64TTK Handle Assembly

Kit:

- 1) 301695 Air Inlet Kit
- 9) 301696 Selector Kit
- 18) 301693 Reverse Kit
- 25) 301694 Trigger Kit



1 See Assembly Notes

64TT Series Stall Bar Nutrunners

Illustration "F" - 64TTK Handle Assembly

Index	Number	#	●	EN	DE	FR	ES	IT
				Description	Benennung	Designation	Descripción	Descrizione
1	301695	1		Air Inlet Kit	Satz	Ensemble	Juego	Corredo
2	---	1		Threaded Plug	Buchse	Tampon	Tapón	Spina
3	---	1	●	Retaining Ring	Sicherungsring	Anneau de fixation	Anillo de retención	Anello di fissaggio
4	---	1	●	Screen	Bildschirm	Ecran	Criba	Schermo
5	---	1		Muffler	Schalldämpfer	Silencieux	Silenciador	Silenziatore
6	543360	1		Pistol Housing	Pistolengehäuse	Cage de pistolet	Caja de pistola	Corpo pistola
7	543473	1		Adapter	Zwischenstück	Adaptateur	Adaptador	Adattatore
8	48017073	1		Selector K Asm	Wählschalter K Versammlung	l'Assemblée de K de sélectionneur	la Asamblea del selector K	il selezionatore K il Montaggio
9	301696	1		Selector Kit	Satz	Ensemble	Juego	Corredo
10	---	2	●	O-Ring	O-Ring	Joint torique	Anillo "O"	Anello ad O
11	---	1		Spring	Druckfeder	Ressort de comp	Resorte	Molla
12	---	1	●	E-Ring	E-Ring	Anneau "E"	Anillo "E"	Anello ad E
13	---	1	●	O-Ring	O-Ring	Joint torique	Anillo "O"	Anello ad O
14	---	1	●	Roll Pin	Spannstift	Boulon à rouleau	Pivote de rodillo	Perno a cilindro
15	48018209	1		Equa-Tork Valve	Ventil	Soupape	Válvula	Valvola
16	48018225	1		Adjusting Screw	Einstellschraube	Vis de réglage	Tornillo de ajuste	Vite di regolazione
17	48018211	1		Air Inlet	Luftanschluß	Air Inlet	Entrée air comprimé	Attacco aria
18	301693	1		Reverse Kit	Satz	Ensemble	Juego	Corredo
19	---	1		Screw M3 x 16	Gewindestift	Vis	Tornillo	Vite
20	---	1		Reverse Slide	Umkehrschiebe	Glissement de renversement	Deslizamiento en reverso	Scorrimento inverso
21	---	1		Washer	Scheibe	Rondelle	Arandela	Rondella
22	---	1	●	O-Ring	O-Ring	Joint torique	Anillo "O"	Anello ad O
23	542952	1		Air Distributor	Luftverteiler	Distributeur d'air	Distribuidor de aire	Distributore aria
24	542951	1		Reverse Plate	Luftanschluß	Air Inlet	Entrée air comprimé	Attacco aria
25	301694	1		Trigger Kit	Satz	Ensemble	Juego	Corredo
26	---	1		Spring	Druckfeder	Ressort	Resorte	Molla
27	---	2		O-Ring	O-Ring	Anneau "O"	Anillo "O"	Anello ad O
28	---	1		Piston	Kolben	Piston	Embolo	Pistone
29	---	1		O-Ring	O-Ring	Anneau "O"	Anillo "O"	Anello ad O
30	---	1		Push Rod	Schaltstößel	Tige-poussoir de contrôle	Varilla de control de empuje	Asta di controllo
31	---	1		O-Ring	O-Ring	Anneau "O"	Anillo "O"	Anello ad O
32	---	1		Threaded Bushing	Lagerbuchse	Douille	Casquillo	Boccola
33	---	1		Trigger	Drücker	Déclencheur	Gatillo	Grilletto

(#) Quantity / Stückzahl / Quantité / Cantidad / Quantità

Service Kit:

- 301728 Tune-Up Kit (64TTK)

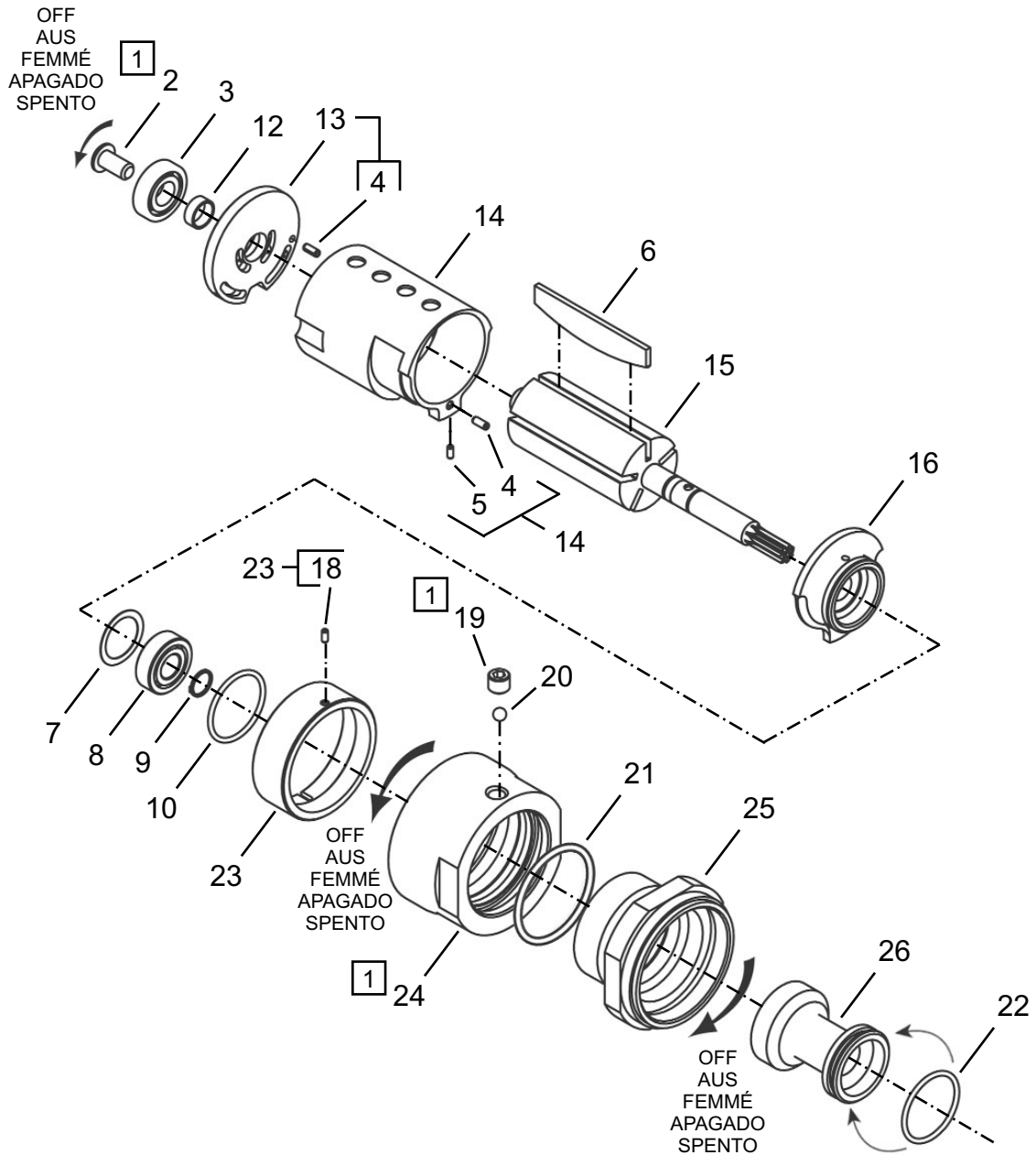
64TT Series Stall Bar Nutrunners

"G"

Motor / Swivel Assembly

Kit:

- 1) 301697 Motor Kit
- 11) 301699 Bearing Spacer Kit
- 17) 301700 Motor Swivel Kit



1 See Assembly Notes

64TT Series Stall Bar Nutrunners

Illustration "G" - 64TT Motor / Swivel Assembly

Index	Number	#	●	EN	DE	FR	ES	IT
				Description	Benennung	Designation	Descripción	Descrizione
1	301697	1		Motor Kit	Satz	Ensemble	Juego	Corredo
2	---	1		Screw	Gewindestift	Vis	Tornillo	Vite
3	---	1		Ball Bearing	Kugellager	Roulement à billes	Cojinete de bolas	Cuscinetto a sfera
4	---	2		Roll Pin 3/32"x1/4"	Spannstift	Boulon à rouleau	Pivote de rodillo	Perno a cilindro
5	---	1	●	Roll Pin 5/64" x 3/16"	Spannstift	Boulon à rouleau	Pivote de rodillo	Perno a cilindro
6	---	5	+	Rotor Blade	Rotorblatt	Pale de rotor	Alabe del rotor	Paletta del rotore
7	---	1	●	Wave Washer	Wellenförmige unterlegscheibe	Rondelle en onde	Arandela ondulada	Rondella ondulata
8	---	1		Ball Bearing	Kugellager	Roulement à billes	Cojinete de bolas	Cuscinetto a sfera
9	---	1	●	Retaining Ring	Sicherungsring	Anneau de fixation	Anillo de retención	Anello di fissaggio
10	---	1	●	O-Ring	O-Ring	Anneau "O"	Anillo "O"	Anello ad O
11	301699	1		Bearing Spacer Kit	Satz	Ensemble	Juego	Corredo
12	---	1	G2	Bearing Spacer	Lagerdistanzstück	Entretoise de coussinet	Separador de cojinetes	Distanziale cuscinetto
13	542949	1		Upper End Plate	Oberer Abschlußdeckel	Plaque d'extrémité supérieure	Placa de extremo superior	Piattello superiore
14	48027104	1		Cylinder Sleeve	Zylinderhülse	Chemises de cylindre	Manguito de cilindro	Guida cilindro
15	Table"G"	1		Rotor	Rotor	Rotore	Rotor	Rotor
16	48017129	1		Lower End Plate	Unterer Abschlußdeckel	Plaque d'extrémité inférieure	Placa de extremo inferior	Piattello inferiore
17	301700	1		Motor Swivel Kit	Satz	Ensemble	Juego	Corredo
18	---	1		Roll Pin 5/64" x 3/16"	Spannstift	Boulon à rouleau	Pivote de rodillo	Perno a cilindro
19	---	1		Pipe Plug	Buchse	Tampon	Tapón	Spina
20	---	27		Steel Ball 3/16"	Stahlkugel	Bloom d'acier	Bola de acero	Sfera in acciaio
21	---	1	●	Seal	Dichtung	Sceau	Sello	Guarnizione
22	---	1	●	O-Ring	O-Ring	Anneau "O"	Anillo "O"	Anello ad O
23	542955	1		Front Plate	Vorderplatte	Plaque de devanture	Placa frontal	Piattello anteriore
24	542956	1		Swivel Motor Housing	Drehbar	Emerillon	Eslabón giratorio	Molinello
25	48177102	1		Swivel Gear Housing	Drehbar	Emerillon	Eslabón giratorio	Molinello
26	48178103	1		Exhaust Deflector	Auspuffblende	Défecteur d'échappement	Deflector de escape	Deflettore di scarico

(#) Quantity / Stückzahl / Quantité / Cantidad / Quantità

Service Kit:

- 301727 Tune-Up Kit (64TTS)
- 301728 Tune-Up Kit (64TTK)
- + 301698 Rotor Blade Kit (25 pieces)

Table "G"

Index #	Description	Qty.	Model Number 64TT ()...							
			34D4 44D4 55D4 90D4	150D6 175D6 205D6 255D6 345D6 425D6	640D8 750D8 930D8 1475D8 1820D8	3850D12	75D4	110D4 125D4 140D4	570D6	1985D8
15	Rotor	1	48177115	48177115	48177115	48177115	48177116	48177114	48177114	48177114

Table "G2"

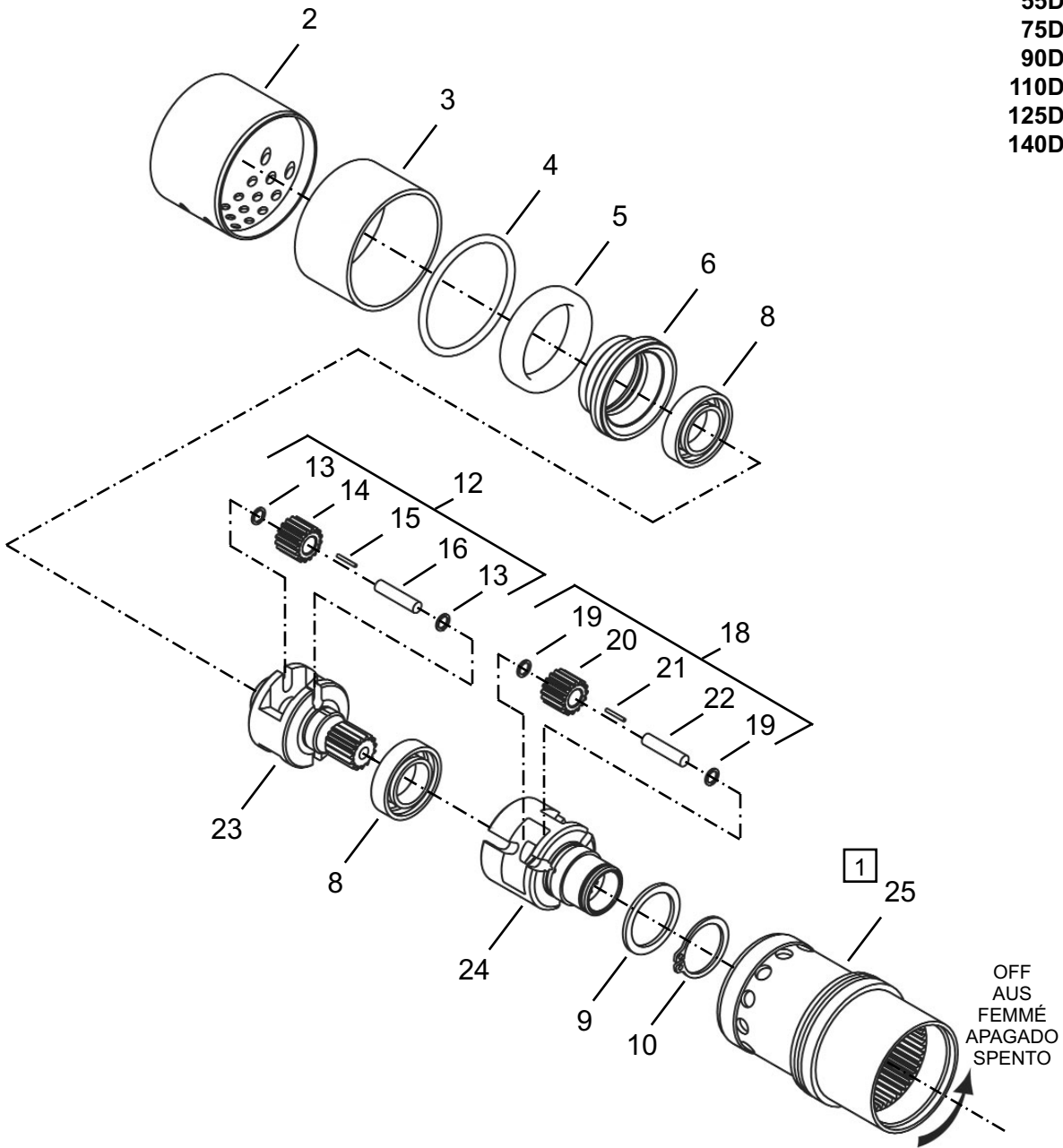
Nbr (#)	Width
48019122	.1580/.1585
48019192	.1570/.1575
48019193	.1560/.1565

“H”

64TT . . . D4 Series Gear Assembly

Models:

- 34D4
- 44D4
- 55D4
- 75D4
- 90D4
- 110D4
- 125D4
- 140D4



- Kit:
- 1) 301701 Muffler Kit
 - 7) 301702 Gearing Kit
 - 11) Table “H” Idler Gear Kit
 - 17) Table “H” Idler Gear Kit

1 See Assembly Notes

64TT Series Stall Bar Nutrunners

Illustration "H" - D4 Gear Assembly

Index	Number	#	●	EN	DE	FR	ES	IT
				Description	Benennung	Designation	Descripción	Descrizione
1	301701	1		Muffler Kit	Satz	Ensemble	Juego	Corredo
2	---	1		Exhaust Deflector	Auspuffblende	Défecteur d'échappement	Deflector de escape	Deflettore di scarico
3	---	1		Muffler	Schalldämpfer	Silencieux	Silenciador	Silenziatore
4	---	1	●	O-Ring	O-Ring	Anneau "O"	Anillo "O"	Anello ad O
5	---	1		Muffler	Schalldämpfer	Silencieux	Silenciador	Silenziatore
6	48017114	1		Bearing Plate	Tragplatte	Plaque de support	Placa de asiento	Piattello cuscinetto
7	301702	1		Gearing Kit	Satz	Ensemble	Juego	Corredo
8	---	2		Ball Bearing	Kugellager	Roulement à billes	Cojinete de bolas	Cuscinetto a sfera
9	---	1		Retaining Washer	Sicherungsscheibe	Rondelle de retenue	Arandela de retención	Rondella di fissaggio
10	---	1		Retaining Ring	Sicherungsring	Anneau de fixation	Anillo de retención	Anello di fissaggio
11	Table "H"	1		Idler Gear Kit	Satz	Ensemble	Juego	Corredo
12	---	AR		Upper Idler Gear Asm.	Getriebegehäusebaugruppe	Assemblage de couvre-engrenages	Ensamblaje de caja de engranajes	Gruppo scatola ingranaggi
13	---	AR		Idler Gear Washer	Scheibe	Rondelle	Arandela	Rondella
14	---	AR		Upper Idler Gear	Zwischenzahnrad	Engrenage secondaire	Engranaje secundario	Ingranaggio intermedio
15	---	AR		Upper Needle Roller	Nadelrolle	Galet à aiguilles	Cilindro de púas	Rullo
16	---	AR		Upper Idler Pin	Zwischenradbolzen	Broche pour roue intermédiaire	Piñon loco	Perno dell'ingranaggio intermedio
17	Table "H"	1		Idler Gear Kit	Satz	Ensemble	Juego	Corredo
18	---	3		Lower Idler Gear Asm.	Getriebegehäusebaugruppe	Assemblage de couvre-engrenages	Ensamblaje de caja de engranajes	Gruppo scatola ingranaggi
19	---	6		Idler Gear Washer	Scheibe	Rondelle	Arandela	Rondella
20	---	3		Lower Idler Gear	Zwischenzahnrad	Engrenage secondaire	Engranaje secundario	Ingranaggio intermedio
21	---	45		Lower Needle Roller	Nadelrolle	Galet à aiguilles	Cilindro de púas	Rullo
22	---	3		Lower Idler Pin	Zwischenradbolzen	Broche pour roue intermédiaire	Piñon loco	Perno dell'ingranaggio intermedio
23	Table "H"	1		Upper Gear Cage	Planetenradträger	Cage d'engrenage	Jaula de engranajes	Gabbia ingranaggio
24	Table "H"	1		Lower Gear Cage	Planetenradträger	Cage d'engrenage	Jaula de engranajes	Gabbia ingranaggio
25	48016106	1		Gear Housing	Getriebegehäuse	Boîte de changement de vitesse	Alojamiento del engranaje	Scatola ingranaggi

(#) Quantity / Stückzahl / Quantité / Cantidad / Quantità

Service Kit

- 301727 Tune-Up Kit (64TTS)
- 301728 Tune-Up Kit (64TTK)

Table "H" - 64TT Series

Index	Description	Qty.	34D4	Qty.	44D4	Qty.	55D4	Qty.	75D4	Qty.	90D4	Qty.	110D4	Qty.	125D4	Qty.	140D4
11	Idler Gear Kit	2	301707	2	301708	2	301708	2	301709	3	301910	3	301711	3	301711	3	301711
17	Idler Gear Kit	3	301712	3	301712	3	301713	3	301714	3	301714	3	301712	3	301714	3	301713
23	Gear Cage	1	43287153	1	48046129	1	48016112	1	48046116	1	43527127	1	43527159	1	43527158	1	43527157
24	Gear Cage	1	48017108	1	48017108	1	48017107	1	48047112	1	48047112	1	48017108	1	48047112	1	48017196

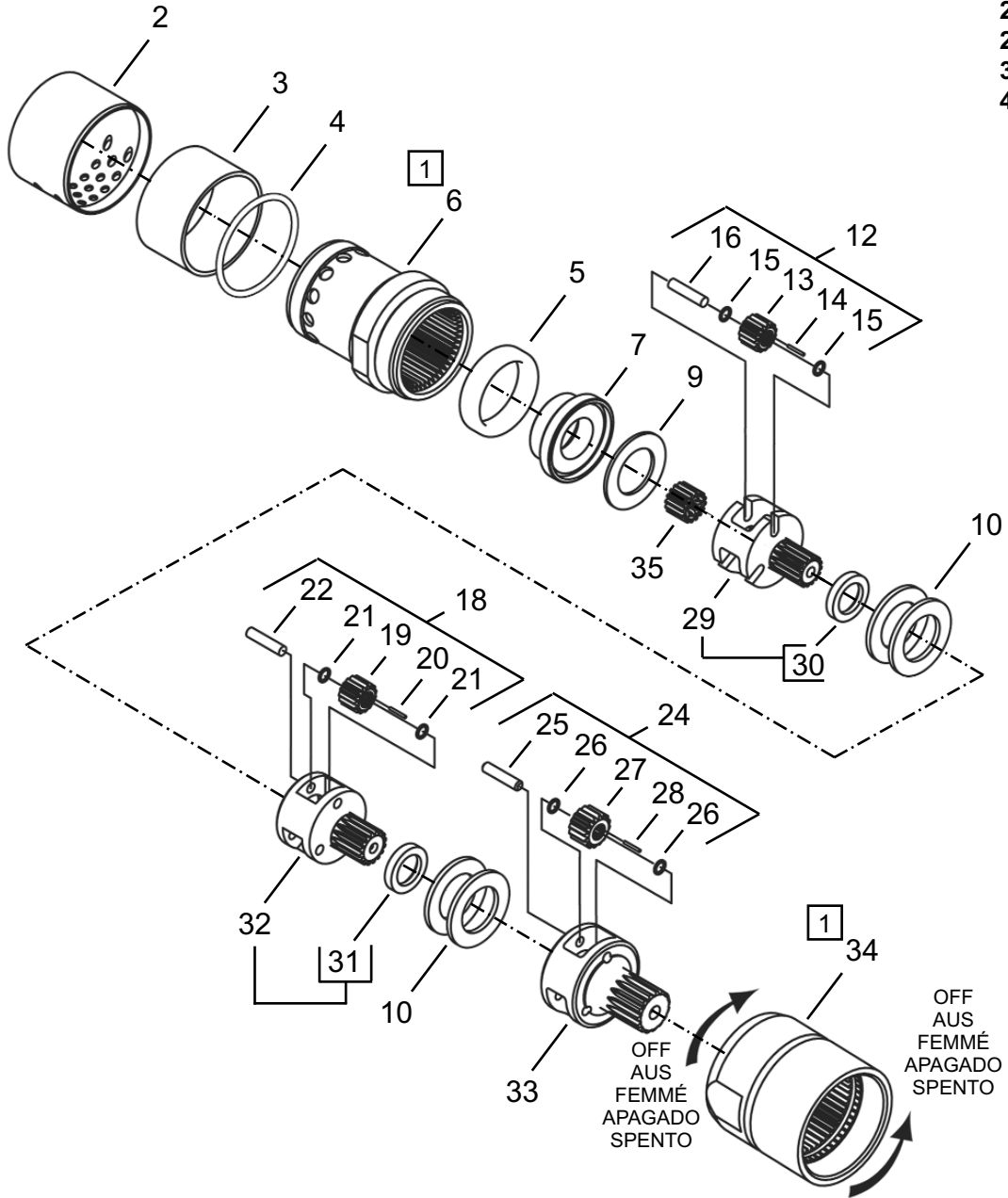
64TT Series Stall Bar Nutrunners

“1”

64TT . . . D6 Series Gear Assembly

Models:

- 150D6
- 175D6
- 205D6
- 255D6
- 345D6
- 425D6



Kit:

- 1) 301701 Muffler Kit
- 8) 301702 Gearing Kit
- 11) Table “1” Idler Gear Kit
- 17) Table “1” Idler Gear Kit
- 23) Table “1” Idler Gear Kit

1 See Assembly Notes

64TT Series Stall Bar Nutrunners

Illustration "I" - D6 Gear Assembly

Index	Number	#	●	EN	DE	FR	ES	IT
				Description	Benennung	Designation	Descripción	Descrizione
1	301701	1		Muffler Kit	Satz	Ensemble	Juego	Corredo
2	---	1		Exhaust Deflector	Auspuffblende	Défecteur d'échappement	Deflector de escape	Deflettore di scarico
3	---	1		Muffler	Schalldämpfer	Silencieux	Silenciador	Silenziatore
4	---	1	●	O-Ring	O-Ring	Anneau "O"	Anillo "O"	Anello ad O
5	---	1		Muffler	Schalldämpfer	Silencieux	Silenciador	Silenziatore
6	48037107	1		Gear Housing	Gehäuse	Corps	Caja	Corpo
7	48038117	1		Deflector Ring	Ring	Anneau	Anillo	Anello
8	301703	1		Gearing Kit	Satz	Ensemble	Juego	Corredo
9	---	1		Thrust Washer	Druckscheibe	Rondelle de butée	Arandela de empuje	Rondella di spinta
10	---	4		Thrust Washer	Druckscheibe	Rondelle de butée	Arandela de empuje	Rondella di spinta
11	Table "I"	1		Idler Gear Kit	Satz	Ensemble	Juego	Corredo
12	---	3		Idler Gear Asm	Montage	Assemblage	Ensamblaje	Assemblaggio
13	---	3		1st Idler Gear	Getriebe	Engrenage	Engranaje	Ingranaggio
14	---	45		1st Needle Roller	Nadelrolle	Galet à aiguilles	Cilindro de púas	Rullo
15	---	6		Idler Gear Washer	Scheibe	Rondelle	Arandela	Rondella
16	---	3		Idler Pin	Stift	Goupille cylindrique	Pasador	Spina
17	Table "I"	1		Idler Gear Kit	Satz	Ensemble	Juego	Corredo
18	---	3		Idler Gear Asm	Montage	Assemblage	Ensamblaje	Assemblaggio
19	---	3		2nd Idler Gear	Getriebe	Engrenage	Engranaje	Ingranaggio
20	---	45		Needle Roller	Nadelrolle	Galet à aiguilles	Cilindro de púas	Rullo
21	---	6		Idler Washer	Scheibe	Rondelle	Arandela	Rondella
22	---	3		Idler Pin	Stift	Goupille cylindrique	Pasador	Spina
23	Table "I"	1		Idler Gear Kit	Satz	Ensemble	Juego	Corredo
24	---	3		3rd Idler Gear Asm.	Montage	Assemblage	Ensamblaje	Assemblaggio
25	---	3		3rd Idler Pin	Stift	Goupille cylindrique	Pasador	Spina
26	---	6		3rd Idler Gear Washer	Scheibe	Rondelle	Arandela	Rondella
27	---	3		3rd Idler Gear	Getriebe	Engrenage	Engranaje	Ingranaggio
28	---	AR		Needler Roller	Nadelrolle	Galet à aiguilles	Cilindro de púas	Rullo
29	Table "I"	1		1 Spider Asm	Montage	Assemblage	Ensamblaje	Assemblaggio
30	Table "I"	1		Spacer	Distanzstück	Entretoise	Espaciador	Distanziale
31	Table "I"	1		Spacer	Distanzstück	Entretoise	Espaciador	Distanziale
32	Table "I"	1		2nd Spider Asm	Montage	Assemblage	Ensamblaje	Assemblaggio
33	Table "I"	1		3rd Spider Asm	Montage	Assemblage	Ensamblaje	Assemblaggio
34	48037103	1		Gear Housing	Gehäuse	Corps	Caja	Corpo
35	Table "I"	1		Drive Pinion	Pinion	Pignon	Piñón	Il pignone

(#) Quantity / Stückzahl / Quantité / Cantidad / Quantità

Service Kit:

- 301727 Tune-Up Kit (64TTS)
- 301728 Tune-Up Kit (64TTK)

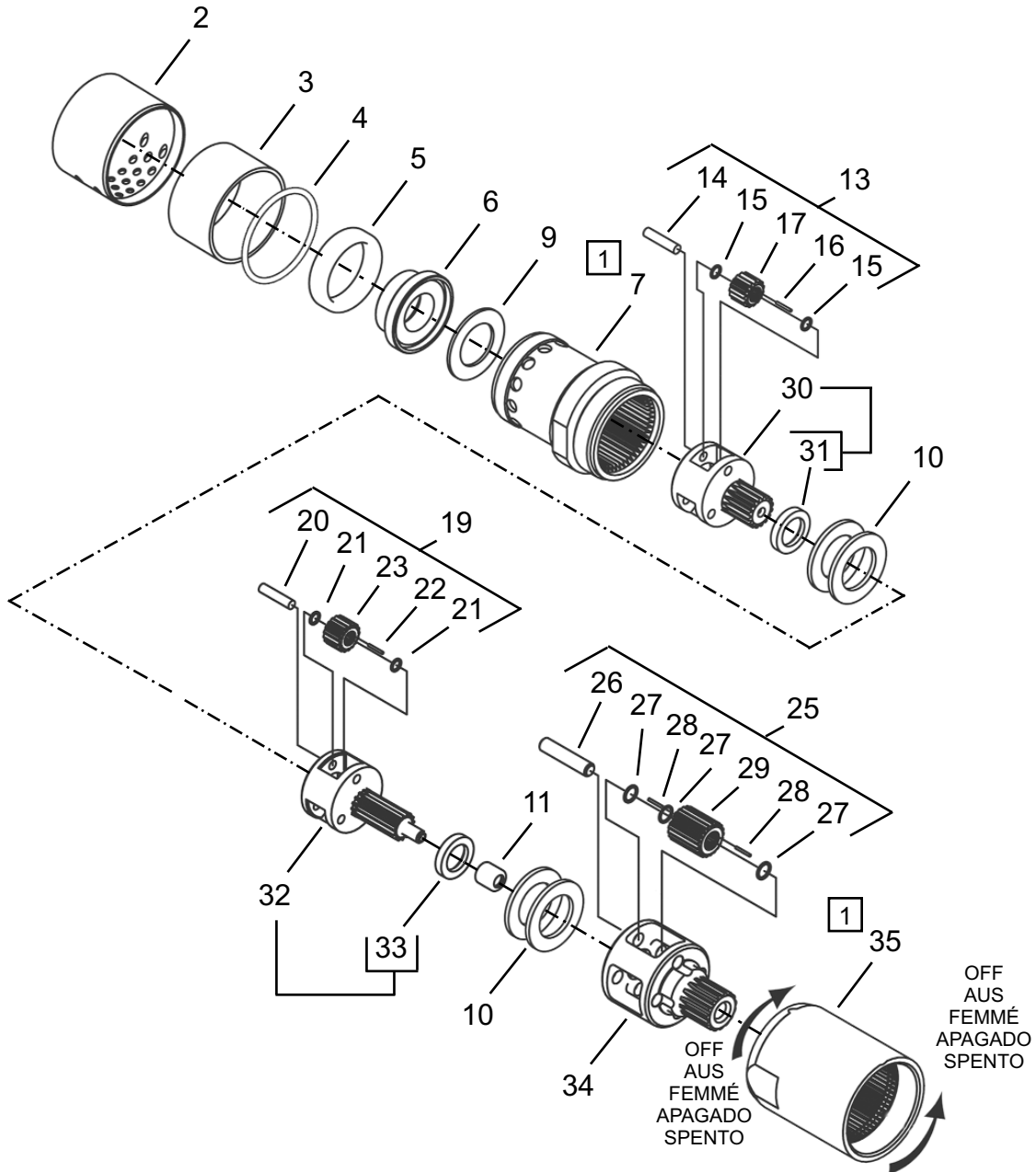
Table "I" - 64TT Series

Index	Description	Qty.	150D6	Qty.	175D6	Qty.	205D6	Qty.	255D6	Qty.	345D6	Qty.	425D6
11	Idler Gear Kit	3	301715	3	301715	3	301715	3	301715	3	301710	3	301710
17	Idler Gear Kit	6	301715	6	301715	6	301714	6	301716	6	301715	6	301714
23	Idler Gear Kit	3	301717	3	301718	3	301718	3	301718	3	301718	3	301718
29	Spider Asm.	1	48037125(16T)	1	48037125(16T)	1	48037124(13T)	1	48037123(10T)	1	48037125(16T)	1	48037124(13T)
30	Spacer	1	48039178	1	48039178	1	48039176	1	48039177	1	48039178	1	48039176
31	Spacer	1	48039158	1	48039157	1	48039157	1	48039157	1	48039157	1	48039157
32	Stage Asm.	1	48037114(16T)	1	48037172(13T)	1	48037120(13T)	1	48037119(13T)	1	48037172(13T)	1	48037120(13T)
33	Spider	1	48037111(15T)	1	48037110(15T)	1	48037110(15T)	1	48037110(15T)	1	48037110(15T)	1	48037110(15T)
35	Pinion	1	48038118	1	48038118	1	48038118	1	48038118		---		---

“J”

64TT . . . 570D6 Series Gear Assembly

Model:
570D6



- Kit:
- 1) 301701 Muffler Kit
 - 8) 301704 Gearing Kit
 - 12) 301711 Idler Gear Kit
 - 18) 301714 Idler Gear Kit
 - 24) 301719 Idler Gear Kit

1 See Assembly Notes

64TT Series Stall Bar Nutrunners

Illustration "J" - 570D6 Gear Assembly

Index	Number	#	●	EN	DE	FR	ES	IT
				Description	Benennung	Designation	Descripción	Descrizione
1	301701	1		Muffler Kit	Satz	Ensemble	Juego	Corredo
2	---	1		Exhaust Deflector	Auspuffblende	Défecteur d'échappement	Deflector de escape	Deflettore di scarico
3	---	1		Muffler	Schalldämpfer	Silencieux	Silenciador	Silenziatore
4	---	1	●	O-Ring	O-Ring	Anneau "O"	Anillo "O"	Anello ad O
5	---	1		Muffler	Schalldämpfer	Silencieux	Silenciador	Silenziatore
6	48038117	1		Deflector Ring	Ring	Anneau	Anillo	Anello
7	48037107	1		Gear Housing	Getriebegehäuse	Boîte de changement de vitesse	Alojamiento del engranaje	Scatola ingranaggi
8	301704	1		Gearing Kit	Satz	Ensemble	Juego	Corredo
9	---	1		Thrust Washer	Druckscheibe	Rondelle de butée	Arandela de empuje	Rondella di spinta
10	---	4		Thrust Washer	Druckscheibe	Rondelle de butée	Arandela de empuje	Rondella di spinta
11	---	1		Needle Bearing	Nadellager	Roulement à aiguilles	Cojinete de agujas	Cuscinetto a rulli
12	301711	1		Idler Gear Kit	Satz	Ensemble	Juego	Corredo
13	---	3		Idler Gear Asm.	Getriebegehäusebau gruppe	Assemblage de couvre-engrenages	Ensamblaje de caja de engranajes	Gruppo scatola ingranaggi
14	---	3		Idler Pin	Zwischenradbolzen	Broche pour roue intermédiaire	Piñon loco	Perno dell'ingranaggio intermedio
15	---	6		Idler Gear Washer	Scheibe	Rondelle	Arandela	Rondella
16	---	45		Needle Roller	Nadelrolle	Galet à aiguilles	Cilindro de púas	Rullo
17	---	3		Idler Gear	Zwischenzahnrad	Engrenage secondaire	Engranaje secundario	Ingranaggio intermedio
18	301714	1		Idler Gear Kit	Satz	Ensemble	Juego	Corredo
19	---	3		Idler Gear Asm.	Getriebegehäusebau gruppe	Assemblage de couvre-engrenages	Ensamblaje de caja de engranajes	Gruppo scatola ingranaggi
20	---	3		Idler Pin	Stift	Goupille cylindrique	Pasador	Spina
21	---	6		Idler Gear Washer	Scheibe	Rondelle	Arandela	Rondella
22	---	45		Needle Roller	Nadelrolle	Galet à aiguilles	Cilindro de púas	Rullo
23	---	3		Idler Gear	Zwischenzahnrad	Engrenage secondaire	Engranaje secundario	Ingranaggio intermedio
24	301719	1		Idler Gear Kit	Satz	Ensemble	Juego	Corredo
25	---	4		Idler Gear Asm.	Getriebegehäusebau gruppe	Assemblage de couvre-engrenages	Ensamblaje de caja de engranajes	Gruppo scatola ingranaggi
26	---	4		Idler Pin	Zwischenradbolzen	Broche pour roue intermédiaire	Piñon loco	Perno dell'ingranaggio intermedio
27	---	12		Washer	Scheibe	Rondelle	Arandela	Rondella
28	---	168		Needle Roller	Nadelrolle	Galet à aiguilles	Cilindro de púas	Rullo
29	---	4		Idler Gear	Zwischenzahnrad	Engrenage secondaire	Engranaje secundario	Ingranaggio intermedio
30	46087197	1		1st Spider Asm.	Steckritzel	Engrenage glissant	Engranaje de deslizamiento	Ingranaggio slittante
31	48039176	1		Spacer	Distanzstück	Entretoise	Espaciador	Distanziale
32	46037187	1		Spider Asm	Steckritzel	Engrenage glissant	Engranaje de deslizamiento	Ingranaggio slittante
33	48039157	1		Spacer	Distanzstück	Entretoise	Espaciador	Distanziale
34	46036184	1		Spindle	Spindel	Broche	Husillo	Mandrino
35	46037183	1		Gear Housing	Getriebegehäuse	Boîte de changement de vitesse	Alojamiento del engranaje	Scatola ingranaggi

(#) Quantity / Stückzahl / Quantité / Cantidad / Quantità

Service Kit

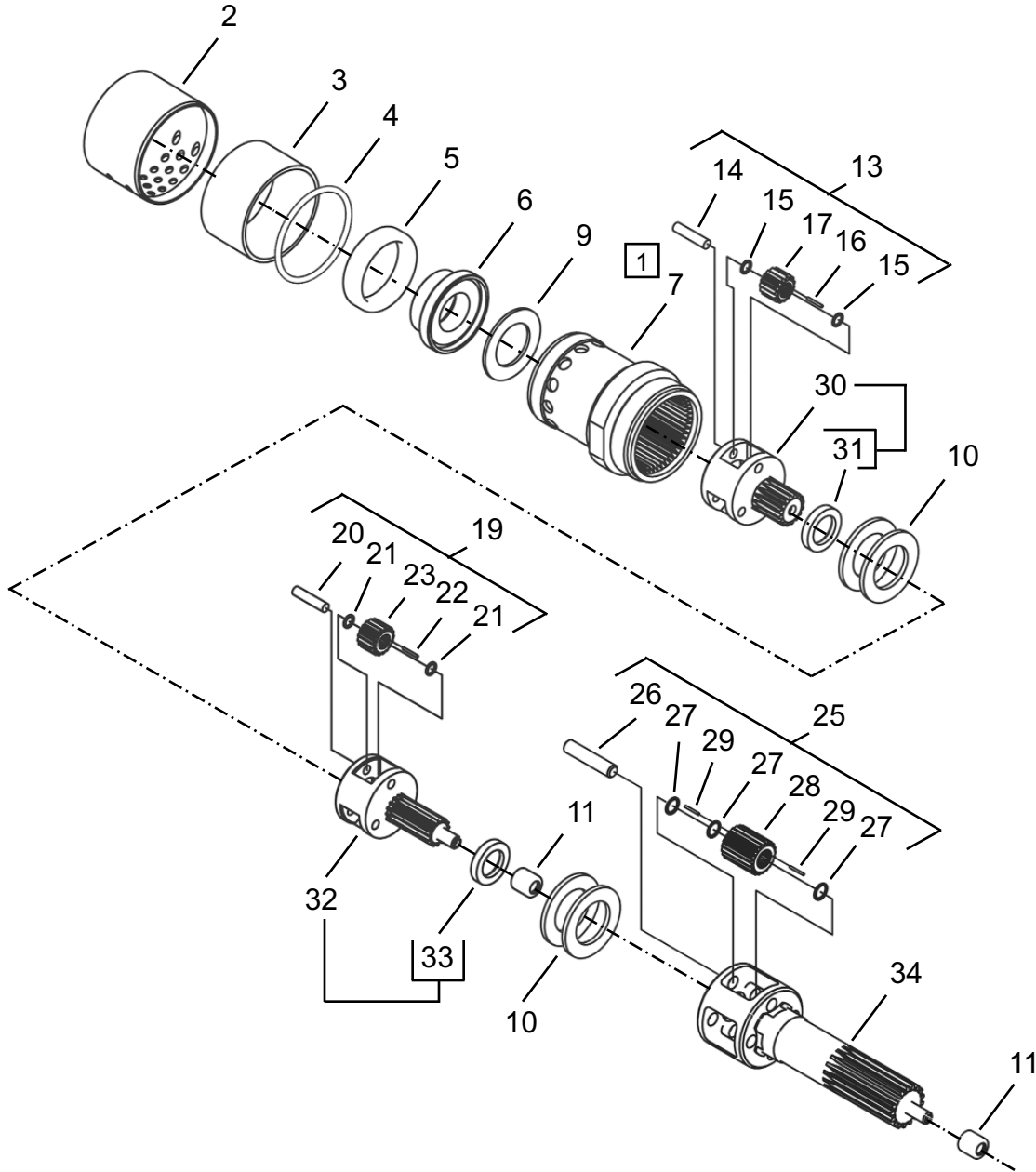
- 301727 Tune-Up Kit (64TTS)
- 301728 Tune-Up Kit (64TTK)

64TT Series Stall Bar Nutrunners

“K”

64TT . . . D8 Series Gear Assembly

Models:
640D8
750D8
930D8
1260D8
1475D8
1820D8
1985D8



- Kit:
- 1) 301701 Muffler Kit
 - 8) 301705 Gearing Kit
 - 12) Table “K” Idler Gear Kit
 - 18) Table “K” Idler Gear Kit
 - 24) 301719 Idler Gear Kit

1 See Assembly Notes

64TT Series Stall Bar Nutrunners

Illustration "K" - D8 Gear Assembly

Index	Number	#	●	EN	DE	FR	ES	IT
				Description	Benennung	Designation	Descripción	Descrizione
1	301701	1		Muffler Kit	Satz	Ensemble	Juego	Corredo
2	---	1		Exhaust Deflector	Auspuffblende	Défecteur d'échappement	Deflector de escape	Deflettore di scarico
3	---	1		Muffler	Schalldämpfer	Silencieux	Silenciador	Silenziatore
4	---	1	●	O-Ring	O-Ring	Anneau "O"	Anillo "O"	Anello ad O
5	---	1		Muffler	Schalldämpfer	Silencieux	Silenciador	Silenziatore
6	48038117	1		Deflector Ring	Ring	Anneau	Anillo	Anello
7	48037107	1		Gear Housing	Getriebegehäuse	Boîte de changement de vitesse	Alojamiento del engranaje	Scatola ingranaggi
8	301705	1		Gearing Kit	Satz	Ensemble	Juego	Corredo
9	---	1		Thrust Washer	Druckscheibe	Rondelle de butée	Arandela de empuje	Rondella di spinta
10	---	4		Thrust Washer	Druckscheibe	Rondelle de butée	Arandela de empuje	Rondella di spinta
11	---	2		Needle Bearing	Nadellager	Roulement à aiguilles	Cojinete de agujas	Cuscinetto a rulli
12	Table "K"	1		Idler Gear Kit	Satz	Ensemble	Juego	Corredo
13	---	3		Idler Gear Asm.	Getriebegehäusebaugruppe	Assemblage de couvre-engrenages	Ensamblaje de caja de engranajes	Gruppo scatola ingranaggi
14	---	6		Idler Pin	Zwischenradbolzen	Broche pour roue intermédiaire	Piñon loco	Perno dell'ingranaggio
15	---	6		Idler Gear Washer	Scheibe	Rondelle	Arandela	Rondella
16	---	45		Needle Roller	Nadelrolle	Galet à aiguilles	Cilindro de púas	Rullo
17	---	3		1st Idler Gear	Zwischenzahnrad	Engrenage secondaire	Engranaje secundario	Ingranaggio intermedio
18	Table "K"	1		Idler Gear Kit	Satz	Ensemble	Juego	Corredo
19	---	3		2nd Stage Gear Asm.	Getriebegehäusebaugruppe	Assemblage de couvre-engrenages	Ensamblaje de caja de engranajes	Gruppo scatola ingranaggi
20	---	3		Idler Pin	Zwischenradbolzen	Broche pour roue intermédiaire	Piñon loco	Perno dell'ingranaggio intermedio
21	---	6		Idler Gear Washer	Scheibe	Rondelle	Arandela	Rondella
22	---	45		Needle Roller	Nadelrolle	Galet à aiguilles	Cilindro de púas	Rullo
23	---	3		2nd Stage Idler Gear	Zwischenzahnrad	Engrenage secondaire	Engranaje secundario	Ingranaggio intermedio
24	301719	1		Idler Gear Kit	Satz	Ensemble	Juego	Corredo
25	---	4		3rd Stage Gear Asm.	Getriebegehäusebaugruppe	Assemblage de couvre-engrenages	Ensamblaje de caja de engranajes	Gruppo scatola ingranaggi
26	---	4		Idler Pin	Zwischenradbolzen	Broche pour roue intermédiaire	Piñon loco	Perno dell'ingranaggio intermedio
27	---	12		Washer	Scheibe	Rondelle	Arandela	Rondella
28	---	4		3rd Stage Idler Gear	Zwischenzahnrad	Engrenage secondaire	Engranaje secundario	Ingranaggio intermedio
29	---	168		Idler Gear Washer	Scheibe	Rondelle	Arandela	Rondella
30	Table "K"	1		1st Stage Spider	Steckritzel	Engrenage glissant	Engranaje de deslizamiento	Ingranaggio slittante
31	Table "K"	1		Spacer	Distanzstück	Entretoise	Espaciador	Distanziale
32	Table "K"	1		2nd Spider Asm.	Steckritzel	Engrenage glissant	Engranaje de deslizamiento	Ingranaggio slittante
33	48039157	1		Spacer	Distanzstück	Entretoise	Espaciador	Distanziale
34	46606117	1		Spindle	Spindel	Broche	Husillo	Mandrino

(#) Quantity / Stückzahl / Quantité / Cantidad / Quantità

Service Kit:

- 301727 Tune-Up Kit (64TTS)
- 301728 Tune-Up Kit (64TTK)

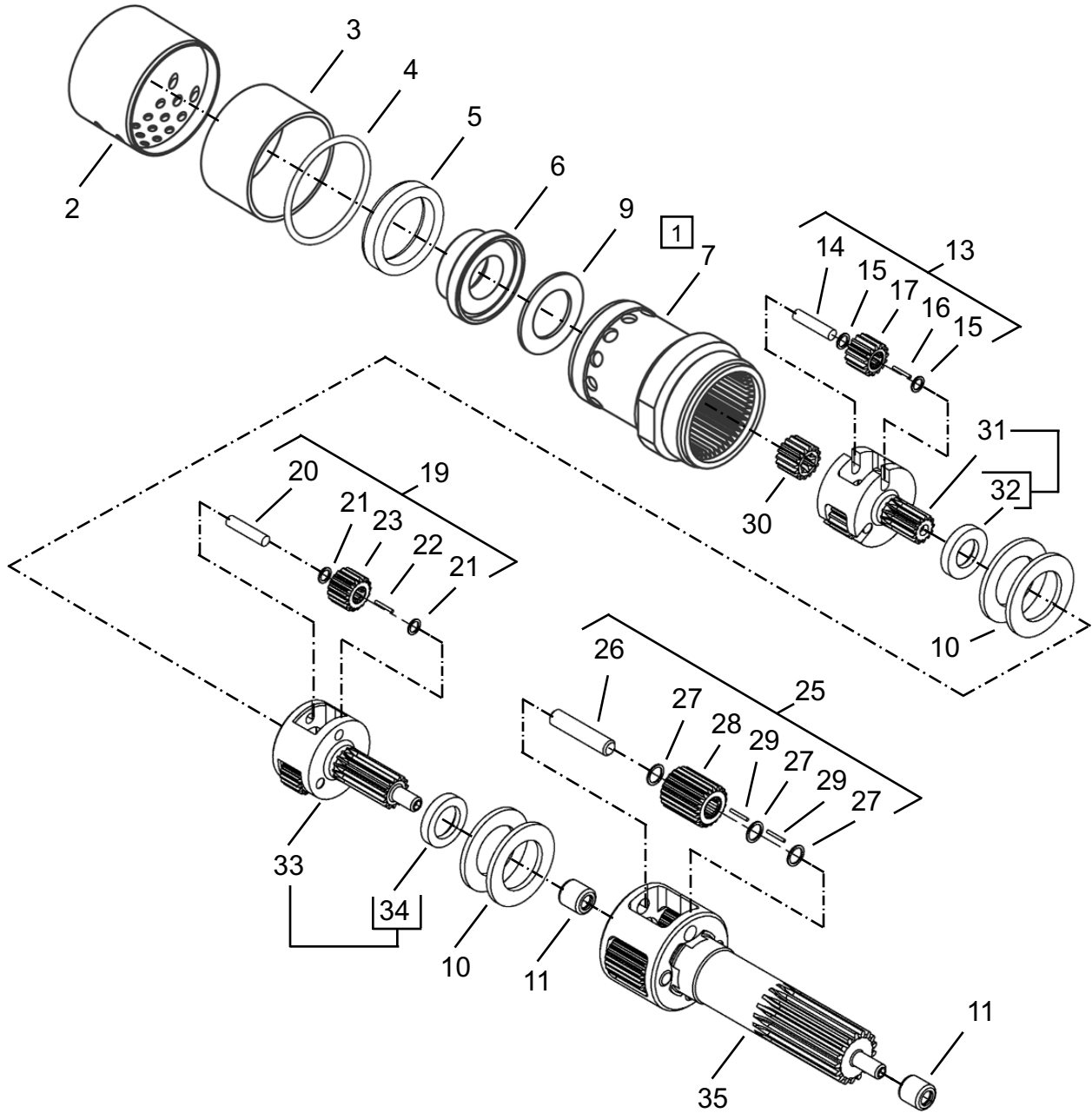
Table "K"

Index	Description	Qty.	640D8	Qty.	750D8	Qty.	930D8	Qty.	1260D8	Qty.	1475D8	Qty.	1820D8	Qty.	1985D8
12	Idler Gear Kit	3	301715	3	301714	3	301715	3	301710	3	301710	3	301710	3	301711
18	Idler Gear Kit	3	301715	3	301714	3	301716	3	301715	3	301714	3	301716	3	301714
30	1st Stage Spider	1	48037125(16t)	1	48037124(13t)	1	48037123(10t)	1	48037125(16t)	1	48037124(15t)	1	48037123(10t)	1	46087197(13t)
31	Spacer	1	48039178	1	48039176	1	48039177	1	48039178	1	48039176	1	48039177	1	48039178
32	2nd Stage Gear Asm	1	46037200(15t)	1	46037187(15t)	1	46037188(15t)	1	46037200(15t)	1	46037187(15t)	1	46037188(15t)	1	46037187(15t)

“L”

64TT . . . D12 Gear Assembly

Model:
3850D12



- Kit:
- 1) 301701 Muffler Kit
 - 8) 301705 Gearing Kit
 - 12) 301715 Idler Gear Kit
 - 18) 301714 Idler Gear Kit
 - 24) 301719 Idler Gear Kit

1 See Assembly Notes

64TT Series Stall Bar Nutrunners

Illustration "L" - D12 Gear Assembly

Index	Number	#	●	EN	DE	FR	ES	IT
				Description	Benennung	Designation	Descripción	Descrizione
1	301701	1		Muffler Kit	Satz	Ensemble	Juego	Corredo
2	---	1		Exhaust Deflector	Auspuffblende	Déflecteur d'échappement	Deflector de escape	Deflettore di scarico
3	---	1		Muffler	Schalldämpfer	Silencieux	Silenciador	Silenziatore
4	---	1	●	O-Ring	O-Ring	Anneau "O"	Anillo "O"	Anello ad O
5	---	1		Muffler	Schalldämpfer	Silencieux	Silenciador	Silenziatore
6	48038117	1		Deflector Ring	Ring	Anneau	Anillo	Anello
7	48037107	1		Gear Housing	Getriebegehäuse	Boîte de changement de vitesse	Alojamiento del engranaje	Scatola ingranaggi
8	301705	1		Gearing Kit	Satz	Ensemble	Juego	Corredo
9	---	1		Thrust Washer	Druckscheibe	Rondelle de butée	Arandela de empuje	Rondella di spinta
10	---	4		Thrust Washer	Druckscheibe	Rondelle de butée	Arandela de empuje	Rondella di spinta
11	---	2		Needle Bearing	Nadellager	Roulement à aiguilles	Cojinete de agujas	Cuscinetto a rulli
12	301715	1		Idler Gear Kit	Satz	Ensemble	Juego	Corredo
13	---	3		Idler Gear Asm.	Getriebegehäusebau gruppe	Assemblage de couvre-engrenages	Ensamblaje de caja de engranajes	Gruppo scatola ingranaggi
14	---	3		Idler Pin	Zwischenradbolzen	Broche pour roue intermédiaire	Piñon loco	Perno dell'ingranaggio intermedio
15	---	6		Idler Gear Washer	Scheibe	Rondelle	Arandela	Rondella
16	---	45		Needle Roller	Nadelrolle	Galet à aiguilles	Cilindro de púas	Rullo
17	---	3		1st Idler Gear	Zwischenzahnrad	Engrenage secondaire	Engranaje secundario	Inganaggio intermedio
18	301714	1		Idler Gear Kit	Satz	Ensemble	Juego	Corredo
19	---	3		2nd Stage Gear Asm.	Getriebegehäusebau gruppe	Assemblage de couvre-engrenages	Ensamblaje de caja de engranajes	Gruppo scatola ingranaggi
20	---	3		Idler Pin	Zwischenradbolzen	Broche pour roue intermédiaire	Piñon loco	Perno dell'ingranaggio
21	---	6		Idler Gear Washer	Scheibe	Rondelle	Arandela	Rondella
22	---	45		Needle Roller	Nadelrolle	Galet à aiguilles	Cilindro de púas	Rullo
23	---	3		2nd Stage Idler Gear	Zwischenzahnrad	Engrenage secondaire	Engranaje secundario	Inganaggio intermedio
24	301719	1		Idler Gear Kit	Satz	Ensemble	Juego	Corredo
25	---	4		3rd Stage Gear Asm.	Getriebegehäusebau gruppe	Assemblage de couvre-engrenages	Ensamblaje de caja de engranajes	Gruppo scatola ingranaggi
26	---	4		Idler Pin	Zwischenradbolzen	Broche pour roue intermédiaire	Piñon loco	Perno dell'ingranaggio
27	---	12		Washer	Scheibe	Rondelle	Arandela	Rondella
28	---	4		3rd Stage Idler Gear	Zwischenzahnrad	Engrenage secondaire	Engranaje secundario	Inganaggio intermedio
29	---	168		Needle Roller	Nadelrolle	Galet à aiguilles	Cilindro de púas	Rullo
30	48038118	1		Drive Pinion	AntriebsPinion	Conduire le Pignon	Maneje Piñón	Guidare il Pignone
31	48037124	1		1st Stage Spider	Steckritzel	Engrenage glissant	Engranaje de deslizamiento	Inganaggio slittante
32	48039176	1		Spacer	Distanzstück	Entretoise	Espaciador	Distanziale
33	46037187	1		2nd Spider Asm.	Steckritzel	Engrenage glissant	Engranaje de deslizamiento	Inganaggio slittante
34	48039157	1		Spacer	Distanzstück	Entretoise	Espaciador	Distanziale
35	46606117	1		Spindle	Spindel	Broche	Husillo	Mandrino

(#) Quantity / Stückzahl / Quantité / Cantidad / Quantità

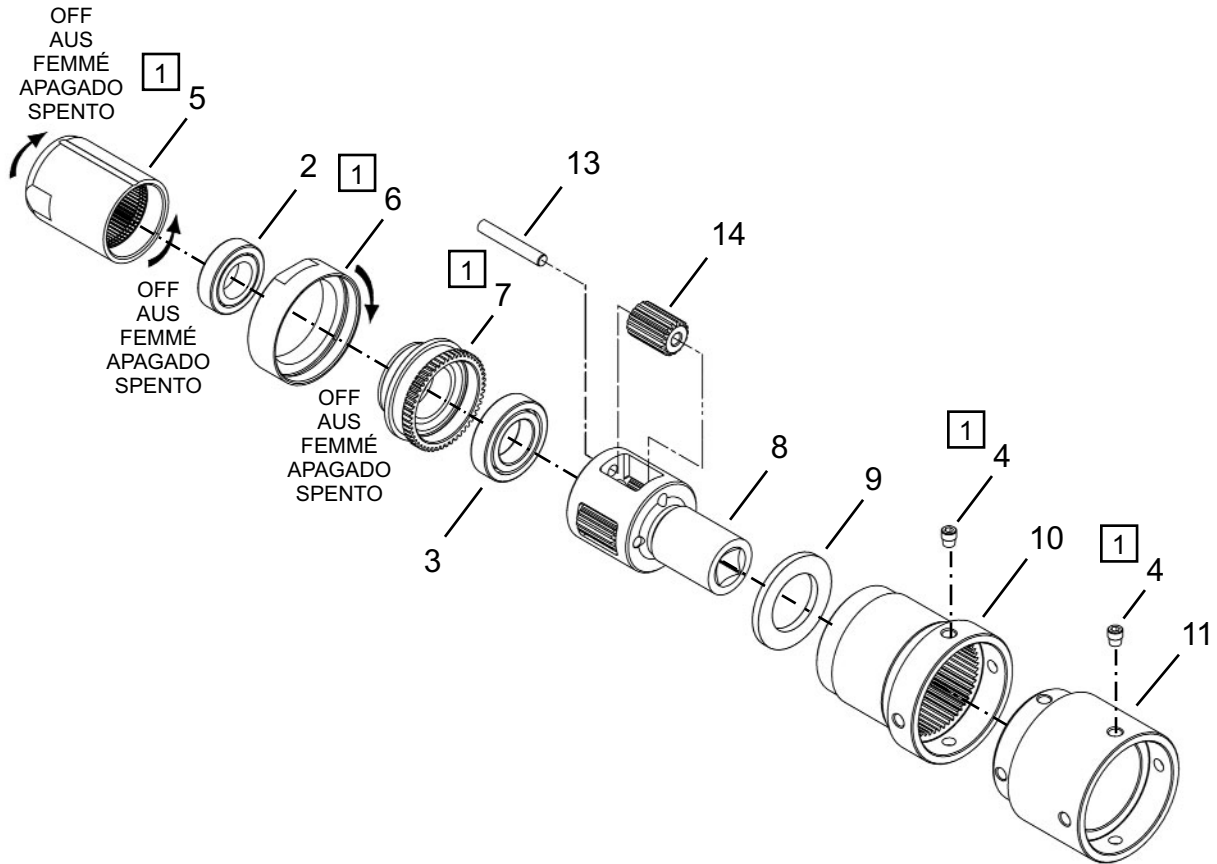
Service Kit:

- 301727 Tune-Up Kit (64TTS)
- 301728 Tune-Up Kit (64TTK)

“M”

64TT . . . D12 Gear Assembly

Model:
3850D12



Kit:
1) 301706 Output Gearing Kit
12) 301720 Idler Gear Kit

1 See Assembly Notes

64TT Series Stall Bar Nutrunners

Illustration "M" - D12 Gear Assembly

Index	Number	#	●	EN	DE	FR	ES	IT
				Description	Benennung	Designation	Descripción	Descrizione
1	301706	1		Output Gearing Kit	Satz	Ensemble	Juego	Corredo
2	---	1		Ball Bearing	Kugellager	Roulement à billes	Cojinete de bolas	Cuscinetto a sfera
3	---	1		Ball Bearing	Kugellager	Roulement à billes	Cojinete de bolas	Cuscinetto a sfera
4	---	8		Retaining Pin	Stift	Goupille cylindrique	Pasador	Spina
5	46037183	1		Gear Housing	Getriebegehäuse	Boîte de changement de vitesse	Alojamiento del engranaje	Scatola ingranaggi
6	46608169	1		Clamp Nut	Mutter	Ecrou	Tuerca	Dado
7	46607114	1		Gear Housing Adapter	Zwischenstück	Adaptateur	Adaptador	Adattatore
8	46607177	1		3/4" Output Spindle	Spindel	Arbre	Husillo	Mandrino
9	46199116	1		Thrust Washer	Druckscheibe	Rondelle de butée	Arandela de empuje	Rondella di spinta
10	46607178	1		Gear Housing	Getriebegehäuse	Boîte de changement de vitesse	Alojamiento del engranaje	Scatola ingranaggi
11	46607180	1		Adapter	Zwischenstück	Adaptateur	Adaptador	Adattatore
12	301720	1		Idler Gear Kit	Satz	Ensemble	Juego	Corredo
13	---	4		Idler Pin	Zwischenradbolzen	Broche pour roue intermédiaire	Piñon loco	Perno dell'ingranaggio intermedio
14	---	4		Idler Gear	Zwischenzahnrad	Engrenage secondaire	Engranaje secundario	Ingranaggio intermedio

(#) Quantity / Stückzahl / Quantité / Cantidad / Quantità

64TT Series Stall Bar Nutrunners

“N”

64TT . . . D4 Series Attachment Assembly

Models:

34D4

44D4

55D4

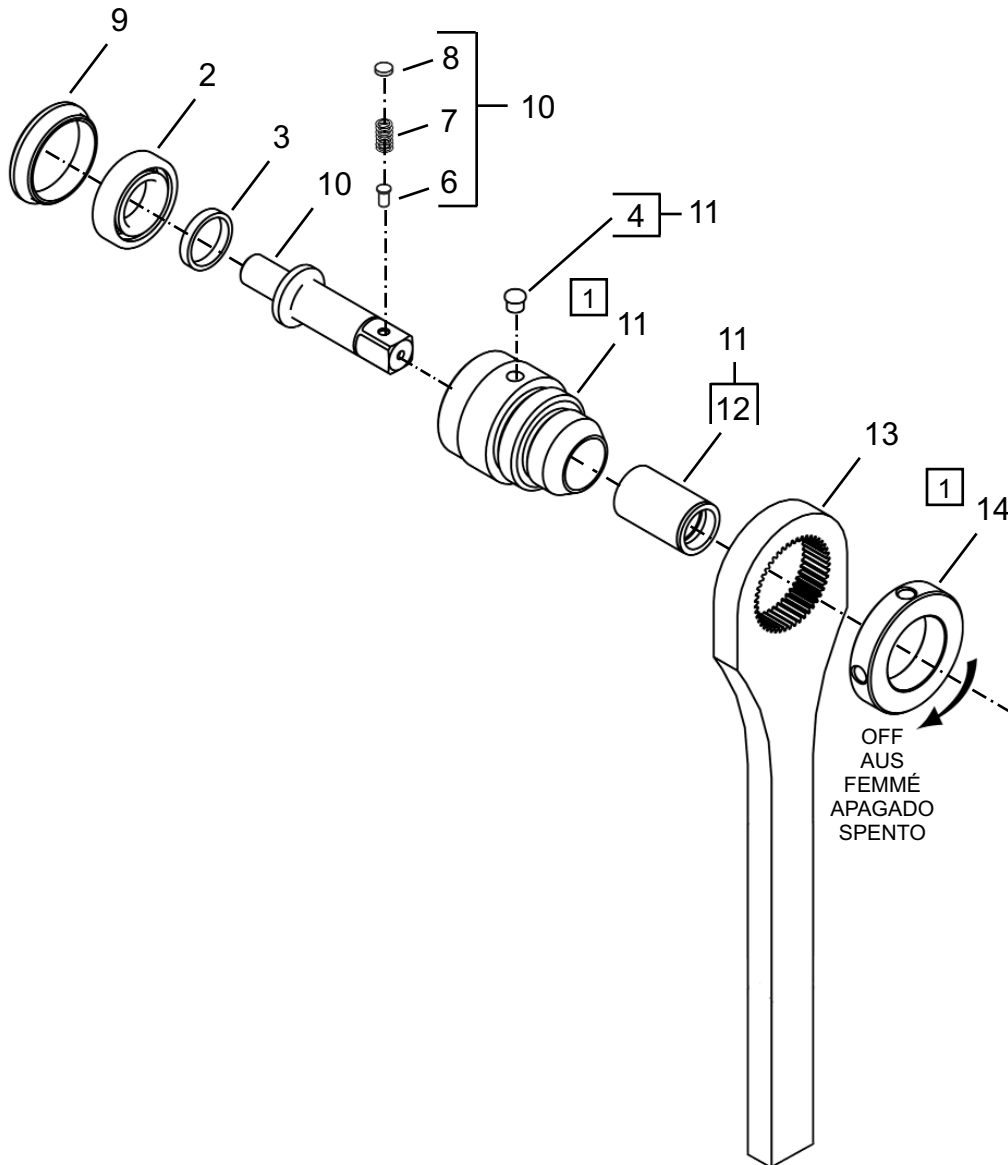
75D4

90D4

110D4

125D4

140D4



Kit:

1) 301721 Attachment Kit

5) 301722 Output Spindle Kit

1 See Assembly Notes

64TT Series Stall Bar Nutrunners

Illustration "N" - D4 Attachment Assembly

Index	Number	#	●	EN	DE	FR	ES	IT
				Description	Benennung	Designation	Descripción	Descrizione
1	301721	1		Attachment Kit	Satz	Ensemble	Juego	Corredo
2	---	1		Ball Bearing	Kugellager	Roulement à billes	Cojinete de bolas	Cuscinetto a sfera
3	---	1		Bearing Spacer	Lagerdistanzstück	Entretoise de coussinet	Separador de cojinetes	Distanziale cuscinetto
4	---	1		Alemite Fitting	Paßstück	Monture	Accesorio	Accessorio
5	301722	1		Output Spindle Kit	Satz	Ensemble	Juego	Corredo
6	---	1		Socket Locking pin	Stift	Goujon	Pasador	Spina
7	---	1		Lock Pin Spring	Stift	Goujon	Pasador	Spina
8	---	1		Lock Pin Plug	Buchse	Tampon	Tapón	Spina
9	48048114	1		Spacer	Distanzstück	Entretoise	Espaciador	Distanziale
10	48047123	1		Spindle Asm.	Spindel	Broche	Husillo	Mandrino
11	48047107	1		Bearing Cap Asm.	Lager	Coussinet	Cojinete	Cuscinetto
12	48048115	1		Bear. Cap Bushing	Lagerbuchse	Douille	Casquillo	Boccola
13	Table "N"	1		Torque Bar	Drehmoment	Torsion	Torsión	Coppia
14	11841013	1		Lock Nut	Mutter	Ecrou	Tuerca	Dado

(#) Quantity / Stückzahl / Quantité / Cantidad / Quantità

Table "N"

Index	Description	Qty.	64TT()34D4	Qty.	64TT()75D4
			64TT()44D4		64TT()90D4
			64TT()54D4	64TT()110D4	
				64TT()125D4	
				64TT()140D4	
13	Torque Bar	1	48047126	1	48047128

“O”

64TT . . . D6 Series Attachment Assembly

Models:

150D6

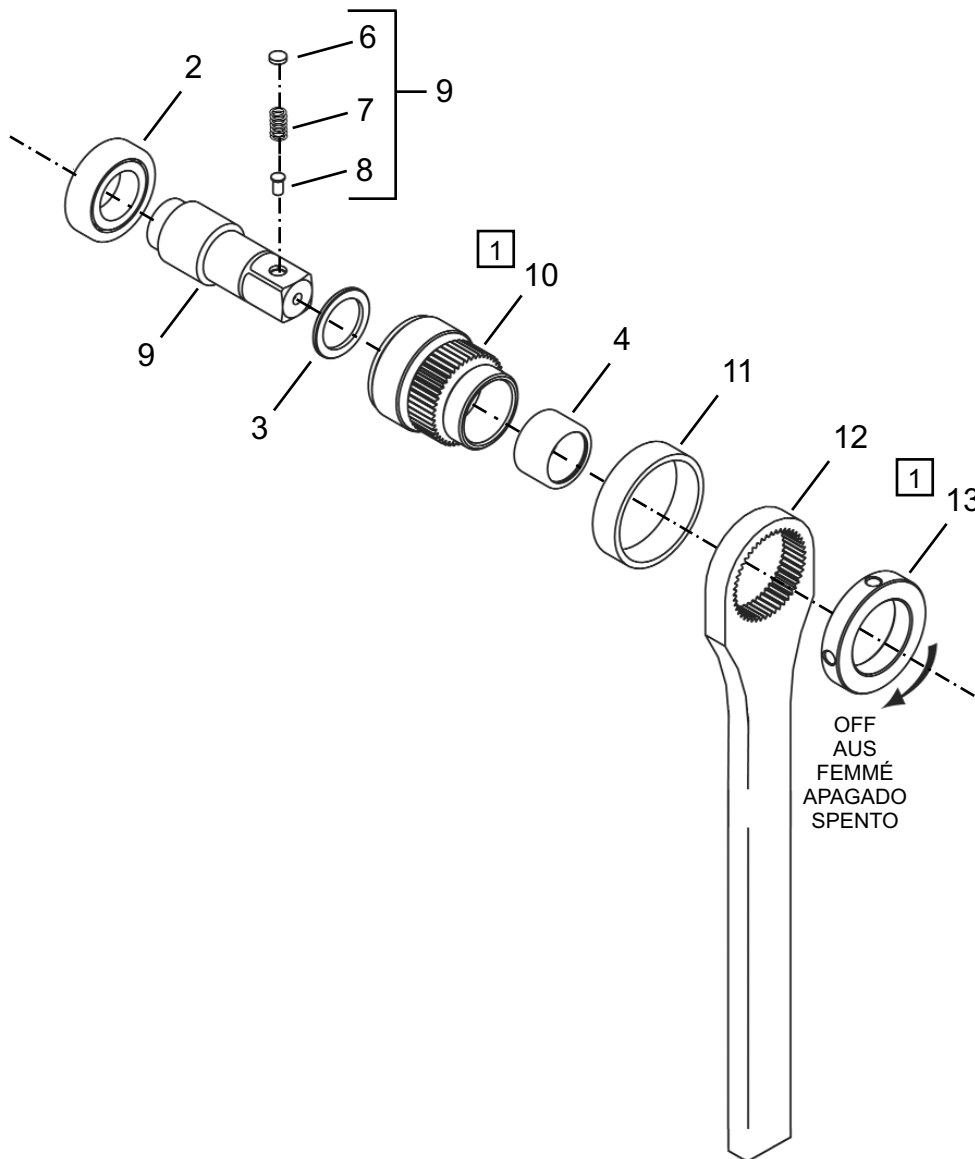
175D6

205D6

255D6

345D6

425D6



Kit:

1) 301723 Attachment Kit

5) 301724 Output Spindle Kit

1 See Assembly Notes

64TT Series Stall Bar Nutrunners

Illustration "O" - D6 Attachment Assembly

Index	Number	#	●	EN	DE	FR	ES	IT
				Description	Benennung	Designation	Descripción	Descrizione
1	301723	1		Attachment Kit	Satz	Ensemble	Juego	Corredo
2	---	1		Ball Bearing	Kugellager	Roulement à billes	Cojinete de bolas	Cuscinetto a sfera
3	---	1		Thrust Washer	Druckscheibe	Rondelle de butée	Arandela de empuje	Rondella di spinta
4	---	1		Needle Bearing	Nadellager	Roulement à aiguilles	Cojinete de agujas	Cuscinetto a rulli
5	301724	1		Output Spindle Kit	Satz	Ensemble	Juego	Corredo
6	---	1		Lock Pin Plug	Buchse	Tampon	Tapón	Spina
7	---	1		Spring	Druckfeder	Ressort	Resorte	Molla
8	---	1		Socket Locking Pin	Stift	Goujon	Pasador	Spina
9	48037133	1		3/4" Sq. Dr. Output Spindle Asm.	Spindelbaugruppe	Assemblage de broche	Ensamblaje de husillo	Gruppo mandrino
10	48037109	1		Bearing Cap	Kappe	Chapeau	Tapa	Cappello
11	48038126	1		Spacer	Distanzstück	Entretoise	Espaciador	Distanziale
12	Table "O"	1		Torque Bar	Drehmoment	Torsion	Torsión	Coppia
13	48038113	1		Lock Nut	Überwurfmutter	Ecrou indéserrable	Tuerca de fijación	Dado di bloccaggio

(#) Quantity / Stückzahl / Quantité / Cantidad / Quantità

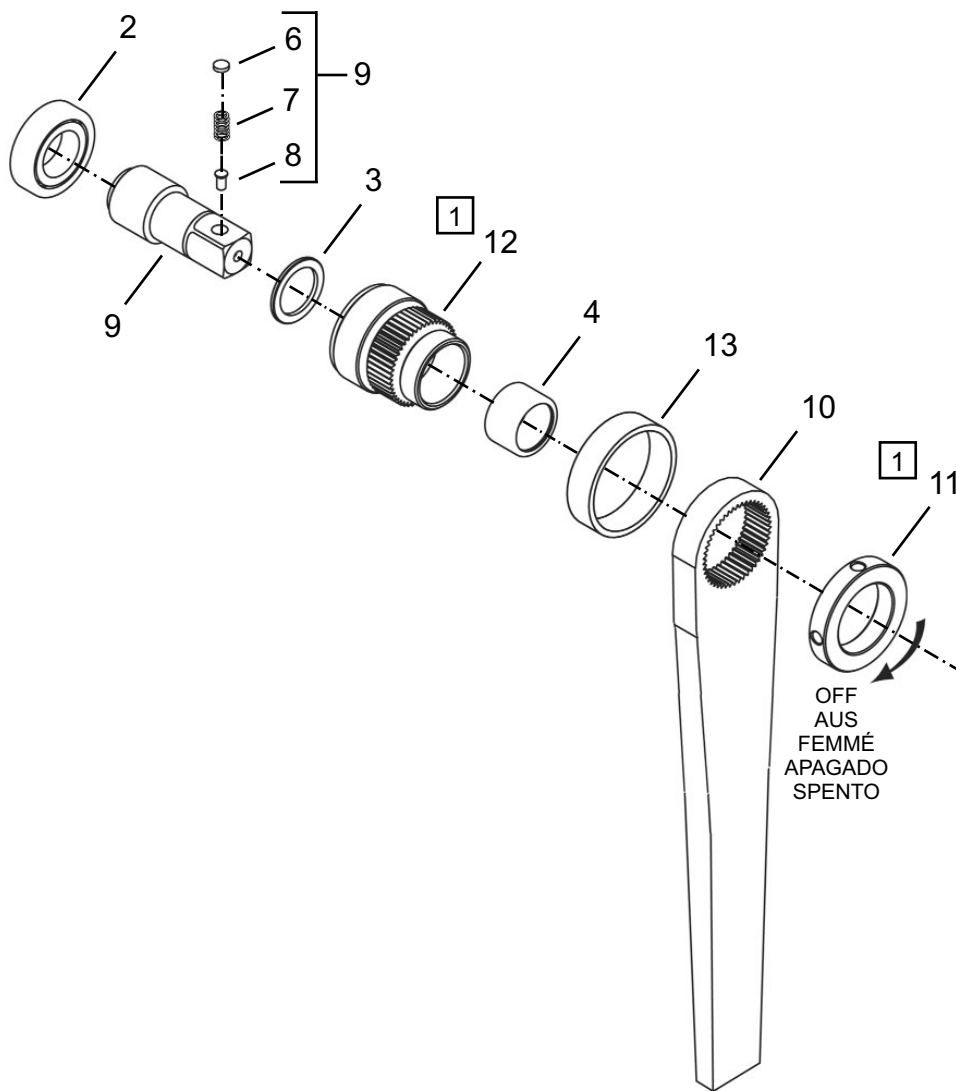
Table "O"

Index #	Description	Qty.	64TT()150D6	Qty.	64TT()425D6
			64TT()175D6		64TT()205D6
12	Torque Bar	1	48037127	1	48037148

“P”

64TT . . . D6 Series Attachment Assembly

Model:
570D6



- Kit:
1) 301723 Attachment Kit
5) 301724 Output Spindle Kit

1 See Assembly Notes

64TT Series Stall Bar Nutrunners

Illustration "P" - 570D6 Attachment Assembly

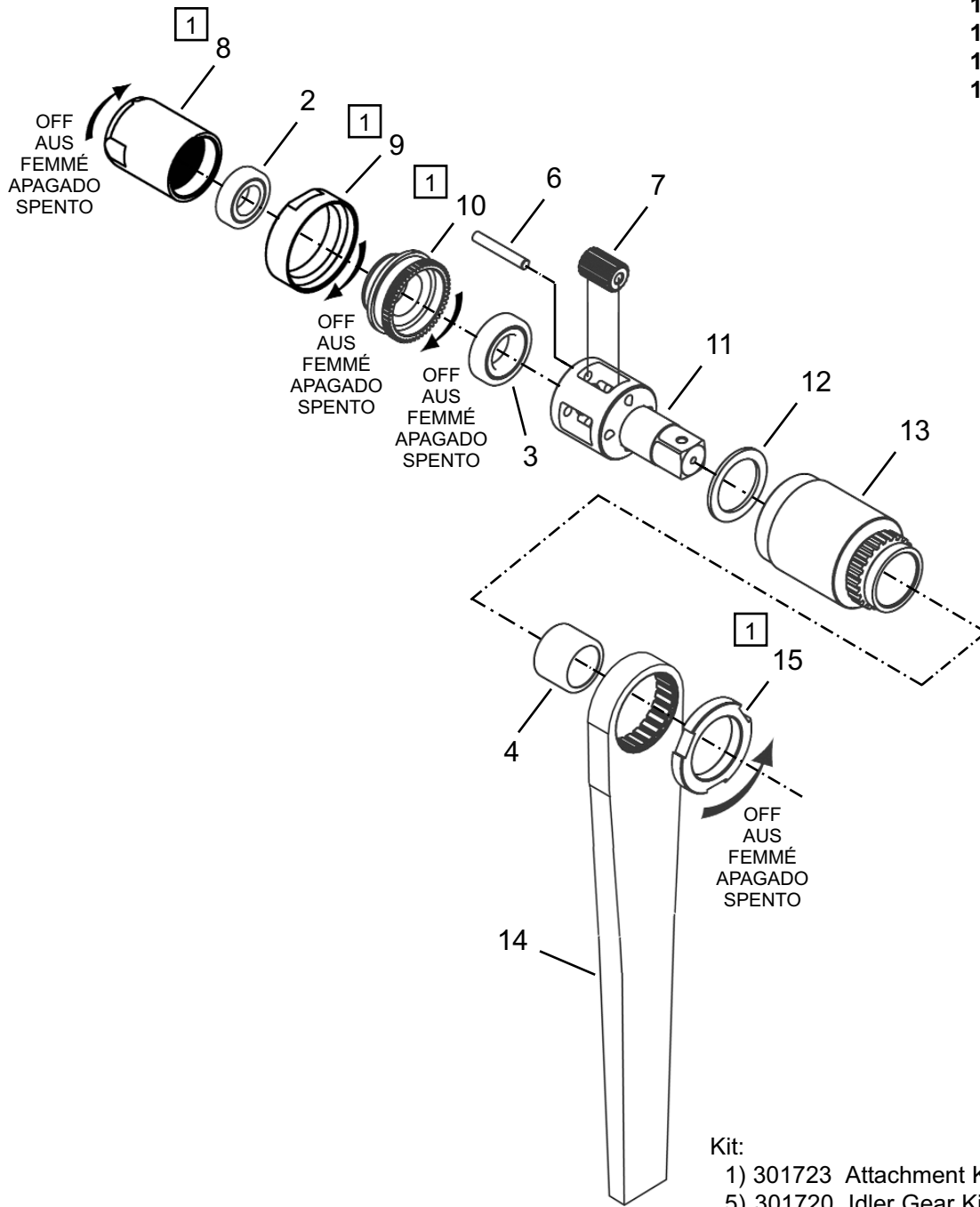
Index	Number	#	●	EN	DE	FR	ES	IT
				Description	Benennung	Designation	Descripción	Descrizione
1	301723	1		Attachment Kit	Satz	Ensemble	Juego	Corredo
2	---	1		Ball Bearing	Kugellager	Roulement à billes	Cojinete de bolas	Cuscinetto a sfera
3	---	1		Spacer	Distanzstück	Entretoise	Espaciador	Distanziale
4	---	1		Needle Bearing	Nadellager	Roulement à aiguilles	Cojinete de agujas	Cuscinetto a rulli
5	301724	1		Output Spindle Kit	Satz	Ensemble	Juego	Corredo
6	---	1		Lock Pin Plug	Buchse	Tampon	Tapón	Spina
7	---	1		Spring	Druckfeder	Ressort	Resorte	Molla
8	---	1		Socket Locking Pin	Stift	Goujon	Pasador	Spina
9	46037195	1		3/4" Sq. Drive	Antrieb	Entraînement	Impulsión	Trasmissione
10	48037148	1		Torque Bar	Drehmoment	Torsion	Torsión	Coppia
11	48038113	1		Lock Nut	Überwurfmutter	Ecrou indésserrable	Tuerca de fijación	Dado di bloccaggio
12	48037109	1		Bearing Cap	Kappe	Chapeau	Tapa	Cappello
13	48038126	1		Spacer	Distanzstück	Entretoise	Espaciador	Distanziale

(#) Quantity / Stückzahl / Quantité / Cantidad / Quantità

“Q”

64TT . . . D8 Series Attachment Assembly

Models:
640D8
750D8
930D8
1260D8
1475D8
1820D8
1985D8



Kit:
1) 301723 Attachment Kit
5) 301720 Idler Gear Kit

1 See Assembly Notes

64TT Series Stall Bar Nutrunners

Illustration "Q" - D8 Attachment Assembly

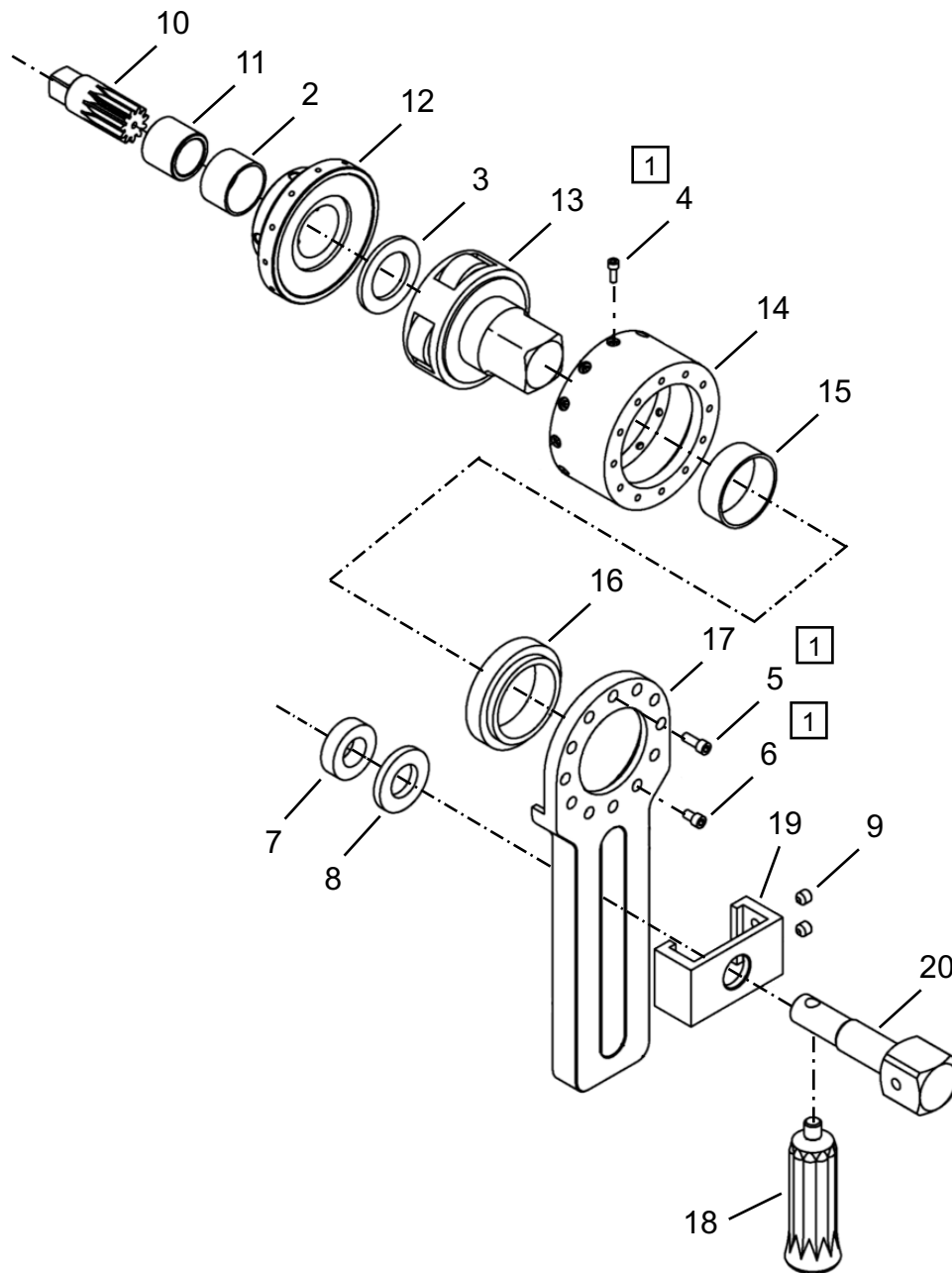
Index	Number	#	●	EN	DE	FR	ES	IT
				Description	Benennung	Designation	Descripción	Descrizione
1	301725	1		Attachment Kit	Satz	Ensemble	Juego	Corredo
2	---	1		Ball Bearing	Kugellager	Roulement à billes	Cojinete de bolas	Cuscinetto a sfera
3	---	1		Ball Bearing	Kugellager	Roulement à billes	Cojinete de bolas	Cuscinetto a sfera
4	---	1		Needle Bearing	Nadellager	Roulement à aiguilles	Cojinete de agujas	Cuscinetto a rulli
5	301720	1		Idler Gear Kit	Satz	Ensemble	Juego	Corredo
6	---	4		Idler Pin	Zwischenradbolzen	Broche pour roue intermédiaire	Piñon loco	Perno dell'ingranaggio intermedio
7	---	4		Idler Gear	Zwischenzahnrad	Engrenage secondaire	Engranaje secundario	Ingranaggio intermedio
8	46037183	1		Gear Housing	Getriebegehäuse	Boîte de changement de vitesse	Alojamiento del engranaje	Scatola ingranaggi
9	46608127	1		Clamp Nut	Mutter	Ecrou	Tuerca	Dado
10	46607114	1		Gear Hous. Adapter	Zwischenstück	Adaptateur	Adaptador	Adattatore
11	46606115	1		1" Output Spindle	Spindel	Broche	Husillo	Mandrino
12	46609119	1		Thrust Washer	Druckscheibe	Rondelle de butée	Arandela de empuje	Rondella di spinta
13	46606116	1		Gear Housing	Getriebegehäuse	Boîte de changement de vitesse	Alojamiento del engranaje	Scatola ingranaggi
14	46036202	1		Torque Bar	Drehmoment	Torsion	Torsión	Coppia
15	46038134	1		Lock Nut	Mutter	Ecrou	Tuerca	Dado

(#) Quantity / Stückzahl / Quantité / Cantidad / Quantità

“R”

64TT . . . D12 Attachment Assembly

Model:
3850D12



Kit:
1) 301726 Attachment Kit

1 See Assembly Notes

64TT Series Stall Bar Nutrunners

Illustration "R" - D12 Attachment Assembly

Index	Number	#	●	EN	DE	FR	ES	IT
				Description	Benennung	Designation	Descripción	Descrizione
1	301726	1		Attachment Kit	Satz	Ensemble	Juego	Corredo
2	---	1		Bearing	Lager	Coussinet	Cojinete	Cuscinetto
3	---	1		Thrust Washer	Druckscheibe	Rondelle de butée	Arandela de empuje	Rondella di spinta
4	---	12		Screw	Gewindestift	Vis	Tornillo	Vite
5	---	4		Screw	Gewindestift	Vis	Tornillo	Vite
6	---	8		Screw	Gewindestift	Vis	Tornillo	Vite
7	---	1		Clamp Collar	Klammern Sie Kragen fest	Serrer le Col	El Cuello de la abrazadera	Stringere il Colletto
8	---	1		Washer	Scheibe	Rondelle	Arandela	Rondella
9	---	2		Set Screw	Stellschraube	Vis de pression	Tornillo fijador	Vite di arresto
10	46197181	1		Sun Gear	Sonne Gang	Engrenage de soleil	El Engranaje del sol	L'Ingranaggio di sole
11	46198182	1		Sleeve	Hülse	Douille	Manguito	Manicotto
12	46197130	1		Adapter	Zwischenstück	Adaptateur	Adaptador	Adattatore
13	46199118	1		Carrier Assembly	Bote Versammlung	Assemblée de transporteur	La Asamblea del portador	Il Montaggio di spedizioniere
14	46199120	1		Annulus	Annulus	Annulus	Annulus	Annulus
15	46199124	1		Bearing	Lager	Coussinet	Cojinete	Cuscinetto
16	46199123	1		Bearing Bushing	Tragbuchse	Bushing portant	Buje de cojinete	Che portando Bushing
17	46197149	1		Reaction Plate	Platte	Plaque	Placa	Piattello
18	113217B	1		Dead Handle	Toter Griff	Poignée morte	El Asidero muerto	Il Manico morto
19	46198148	1		Slave Drive Slide	Tochterantriebsdia	La Chute d'Unité d'esclave	Esclavice el Resbaladero de la	Lo schiavo Guida la Diapositiva
20	46197188	1		1-1/2" Slave Square	Tochterquadrat	Carré d'esclave	Esclavice el Cuadrado	Il Quadrato di schiavo

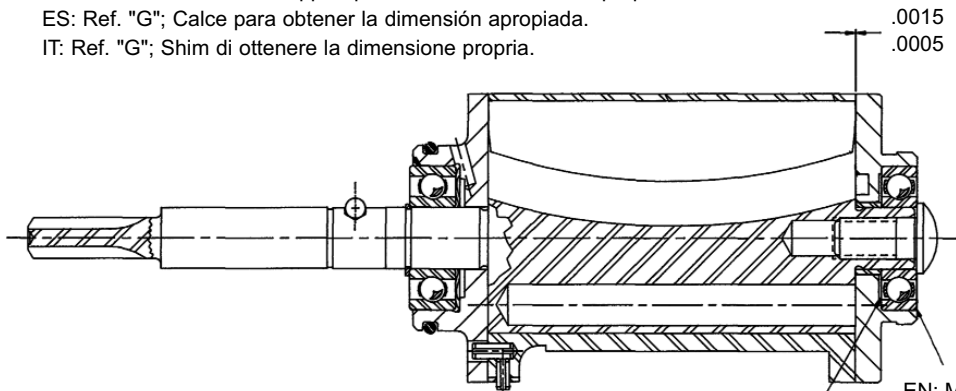
(#) Quantity / Stückzahl / Quantité / Cantidad / Quantità

1 Torque Table

Figure	Index Number	Tightening Torque		Special Notes
		Ft-Lbs (in-lbs)	Nm	
E	2	(70-80)	8-9	
	9	(6-7)	.7-.8	
	22	(25-35)	3-4	
	7	15-20	20-27	
F	2	(70-80)	8-9	Assemble to 7 before 7 is assembled to 6 - Do Not Apply Loctite
	19	(6-7)	.7-.8	
	32	(25-35)	3-4	
	17	35-50	47-68	
	7	15-20	20-27	
G	2	8-10	11-13	
	24	65-75	88-102	
	19	8-10	11-13	
H	25	65-75	88-102	
I	6	65-75	88-102	Apply Loctite 242 to threads
	34	125-135	170-183	
J	7	65-75	88-102	Apply Loctite 242 to threads
	35	125-135	170-183	
K	7	65-75	88-102	Apply Loctite 242 to threads
L	7	130-135	176-183	Apply Loctite 242 to threads
M	5	65-75	88-102	To Swivel Gear Housing Apply Loctite 242 to threads Apply Loctite 242 to threads
	6	65-75	88-102	
	7	500-505	678-685	
	4	20-22	27-30	
N	11	125-135	170-183	Apply Loctite 242 to threads
	14	40-50	54-68	
O	10	125-135	170-183	Apply Loctite 242 to threads
	13	40-50	54-68	
P	11	40-50	54-68	Apply Loctite 242 to threads
	12	125-135	170-183	
Q	8	125-135	170-183	Apply Loctite 242 to threads Apply Loctite 242 to threads Apply Loctite 242 to threads
	9	65-75	88-102	
	10	550-570	745-772	
	15	40-50	54-68	

2 Motor - Dimensional View

EN: Ref. "G"; Shim to obtain proper dimension.
 DE: Ref. "G"; Abstandsstück, passende Dimension zu erhalten.
 FR: Ref. "G"; le Cale de support pour obtenir la dimension propre.
 ES: Ref. "G"; Calce para obtener la dimensión apropiada.
 IT: Ref. "G"; Shim di ottenere la dimensione propria.



EN: Flush ground side of bearing
 DE: Spülen Sie Erdseite des Tragens
 FR: Rincer le côté de sol de direction
 ES: El lado parejo del suelo de cojinete
 IT: Sciacquare il lato di suolo di portare

EN: Marked side of bearing
 DE: Markierte Seite des Tragens
 FR: Le côté marqué de direction
 ES: El lado marcado de cojinete
 IT: Il lato marcato di portare

Sales & Service Centers

Note: All locations may not service all products. Please contact the nearest Sales & Service Center for the appropriate facility to handle your service requirements.

Dallas, TX
**Apex Tool Group
Sales & Service Center**
1470 Post & Paddock
Grand Prairie, TX 75050
Tel: 972-641-9563
Fax: 972-641-9674

Detroit, MI
**Apex Tool Group
Sales & Service Center**
2630 Superior Court
Auburn Hills, MI 48326
Tel: 248-391-3700
Fax: 248-391-7824

Houston, TX
**Apex Tool Group
Sales & Service Center**
6550 West Sam Houston
Parkway North, Suite 200
Houston, TX 77041
Tel: 713-849-2364
Fax: 713-849-2047

Lexington, SC
Apex Tool Group
670 Industrial Drive
Lexington, SC 29072
Tel: 800-845-5629
Tel: 803-951-7544
Fax: 803-358-7681

Los Angeles, CA
**Apex Tool Group
Sales & Service Center**
15503 Blackburn Avenue
Norwalk, CA 90650
Tel: 562-623-4457
Fax: 562-802-1718

Seattle, WA
**Apex Tool Group
Sales & Service Center**
2865 152nd Avenue N.E.
Redmond, WA 98052
Tel: 425-497-0476
Fax: 425-497-0496

York, PA
**Apex Tool Group
Sales & Service Center**
3990 East Market Street
York, PA 17402
Tel: 717-755-2933
Fax: 717-757-5063

Canada
**Apex Tool Group
Sales & Service Center**
5925 McLaughlin Road
Mississauga, Ont. L5R 1B8
Canada
Tel: 905-501-4785
Fax: 905-501-4786

Germany
Cooper Power Tools
GmbH & Co. OHG
a company of
Apex Tool Group, LLC
Industriestraße 1
73463 Westhausen
Germany
Tel: +49 (0) 73 63 81 0
Fax: +49 (0) 73 63 81 222

England
Cooper Power Tools
GmbH & Co. OHG
a company of
Apex Tool Group, LLC
C/O Spline Gauges
Piccadilly, Tamworth
Staffordshire B78 2ER
United Kingdom
Tel: +44 1827 8741 28
Fax: +44 1827 8741 28

France
Cooper Power Tools SAS
a company of
Apex Tool Group, LLC
25 rue Maurice Chevalier
77330 Ozoir-La-Ferrière
France
Tel: +33 1 6443 2200
Fax: +33 1 6443 1717

China
Cooper (China) Co., Ltd.
a company of
Apex Tool Group, LLC
955 Sheng Li Road,
Heqing Pudong, Shanghai
China 201201
Tel: +86-21-28994176
Fax: +86-21-51118446

Mexico
Cooper Tools
de México S.A. de C.V.
a company of
Apex Tool Group, LLC
Vialidad El Pueblito #103
Parque Industrial Querétaro
Querétaro, QRO 76220
Mexico
Tel: +52 (442) 211-3800
Fax: +52 (442) 103-0443

Brazil
Cooper Tools Industrial Ltda.
a company of
Apex Tool Group, LLC
Av. Liberdade, 4055
Zona Industrial - Iporanga
SP Brazil
Tel: +55 15 2383929
Fax: +55 15 2383260

Hungary
Cooper Tools Hungaria Kft.
a company of
Apex Tool Group, LLC
Berkenyefa sor 7
Pf: 640
9027 Győr
Hungary
Tel: +36 96 66 1383
Fax: +36 96 66 1135

Apex Tool Group, LLC
1000 Lufkin Road
Apex, NC 27539
Phone: 919-387-0099
Fax: 919-387-2614
www.apextoolgroup.com

Cleco®